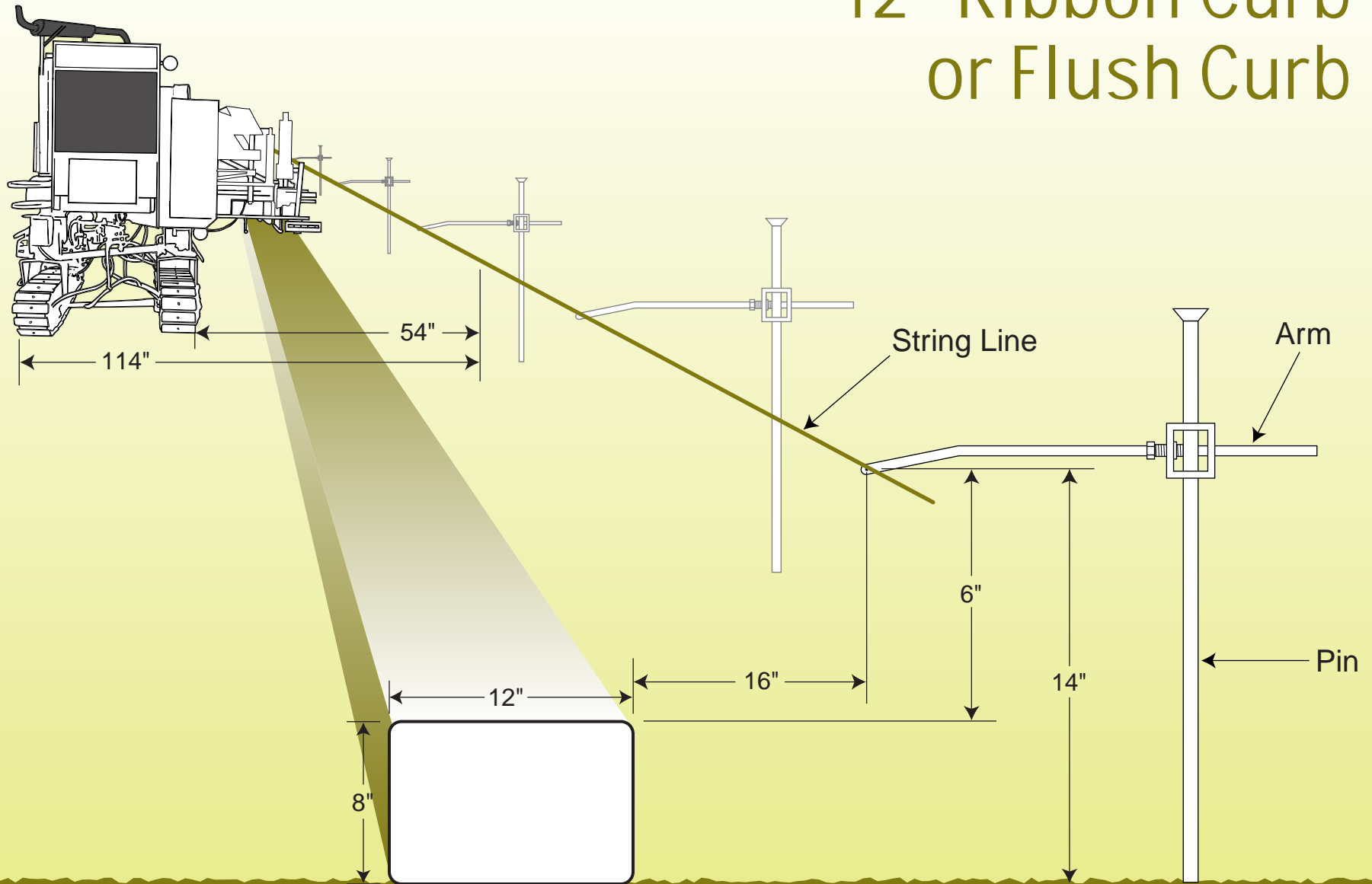


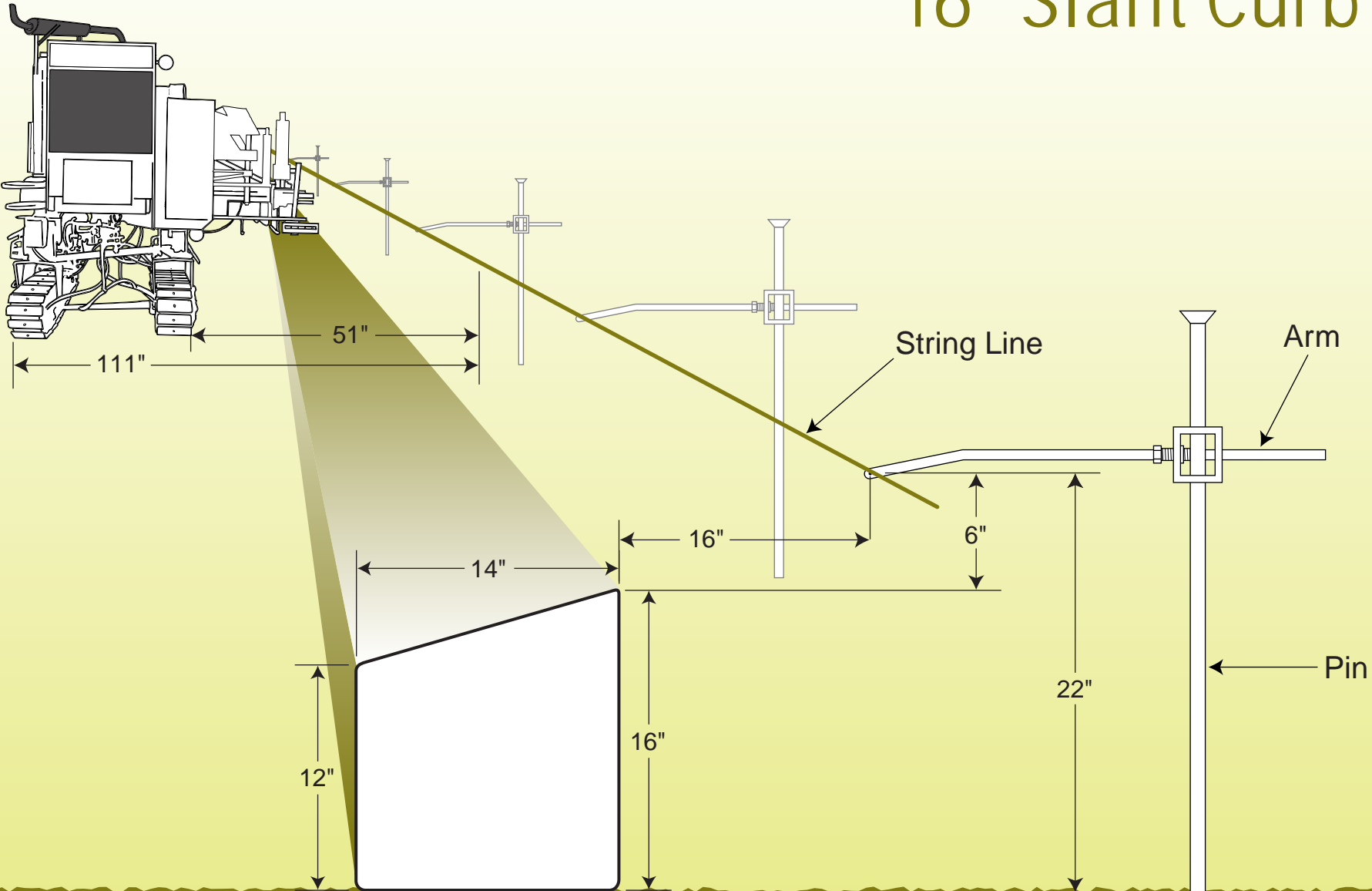
12" Ribbon Curb or Flush Curb



Ruhlman Bros Inc
65 Musselman Road, Hanover, PA 17331
www.ruhlmanbrothers.com

office: 717-637-3235
fax: 717-637-8669

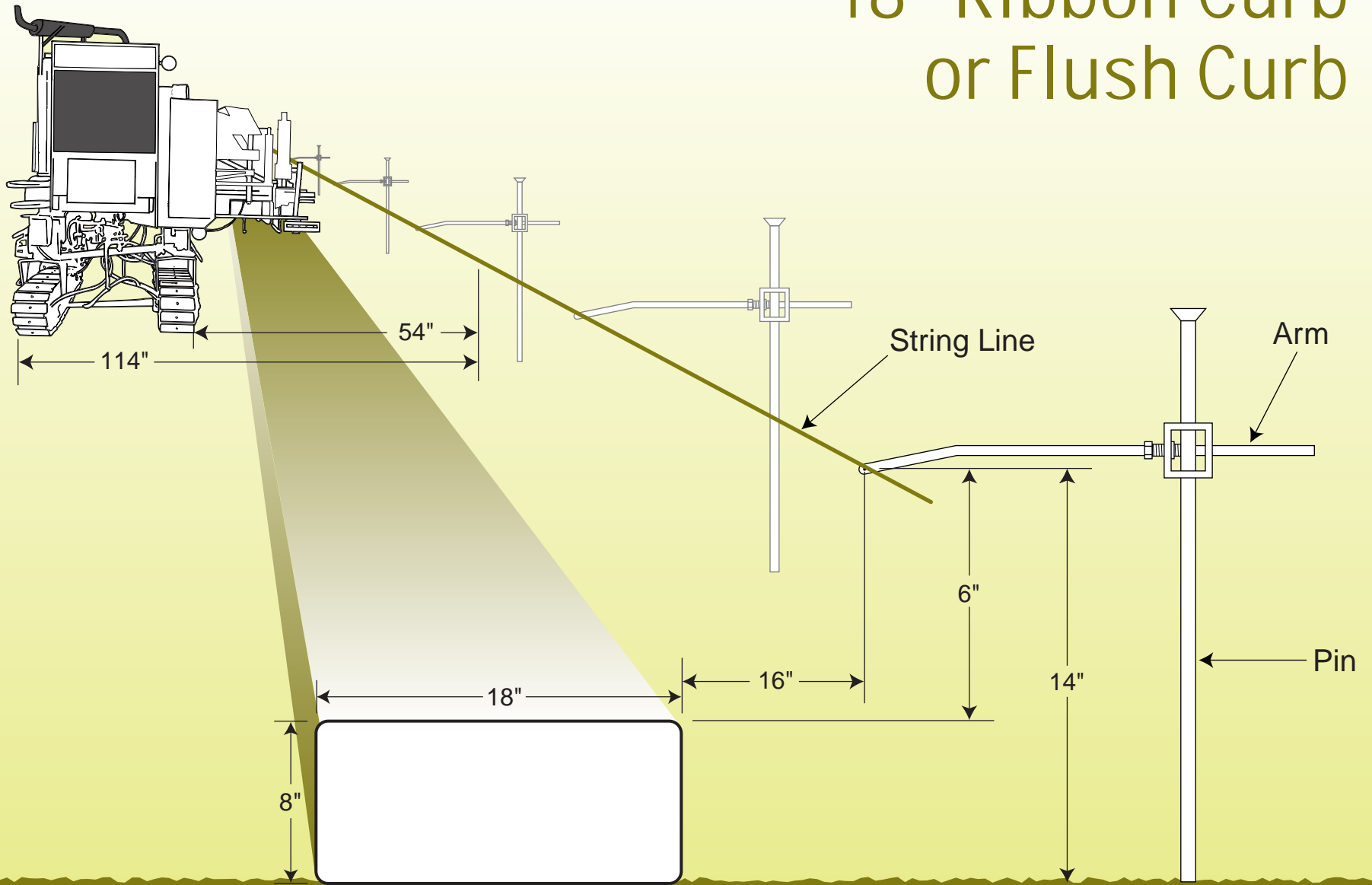
16" Slant Curb



Ruhlman Bros Inc
65 Musselman Road, Hanover, PA 17331
www.ruhlmanbrothers.com

office: 717-637-3235
fax: 717-637-8669

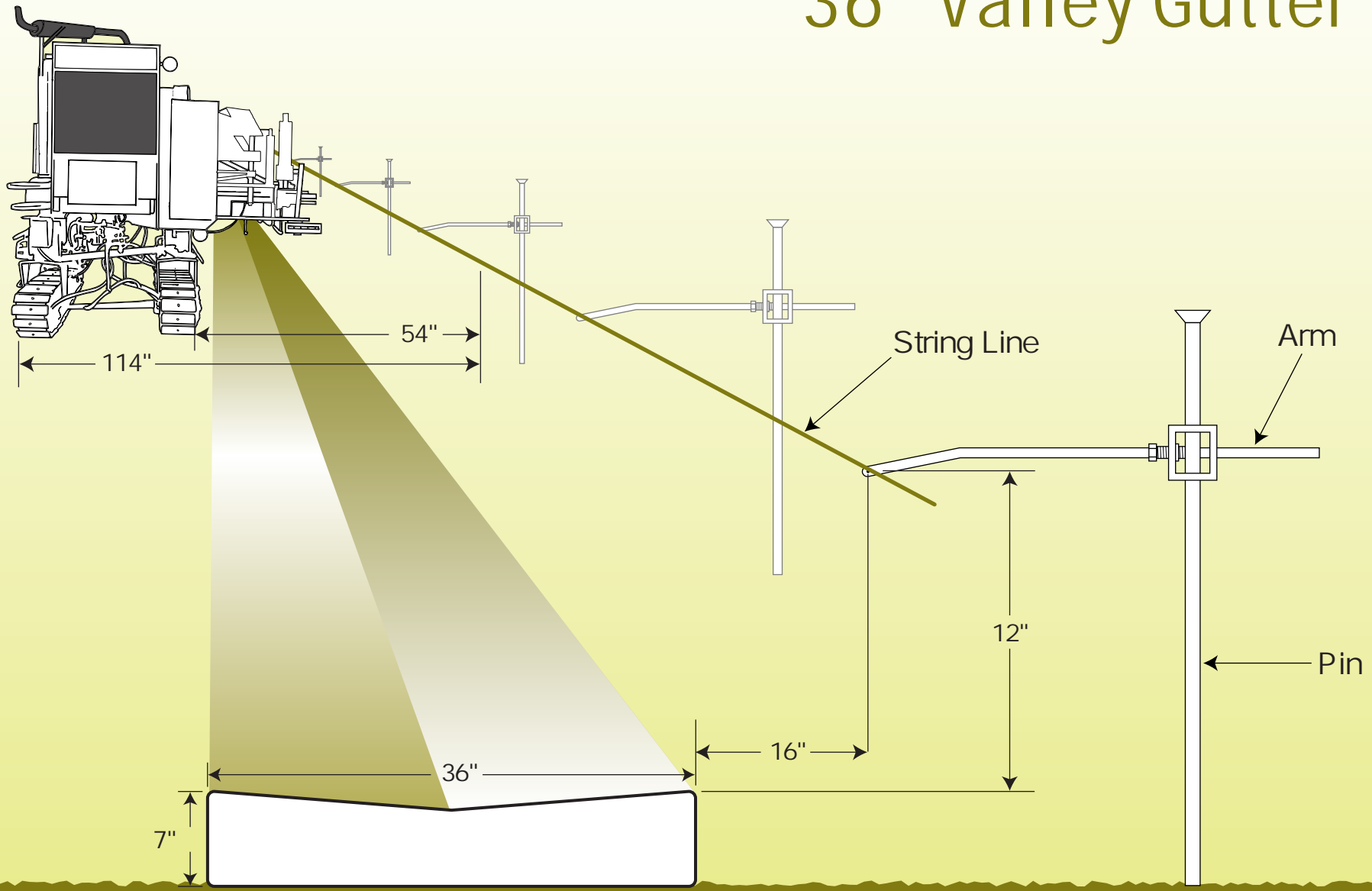
18" Ribbon Curb or Flush Curb



Ruhlman Bros Inc
65 Musselman Road, Hanover, PA 17331
www.ruhlmanbrothers.com

office: 717-637-3235
fax: 717-637-8669

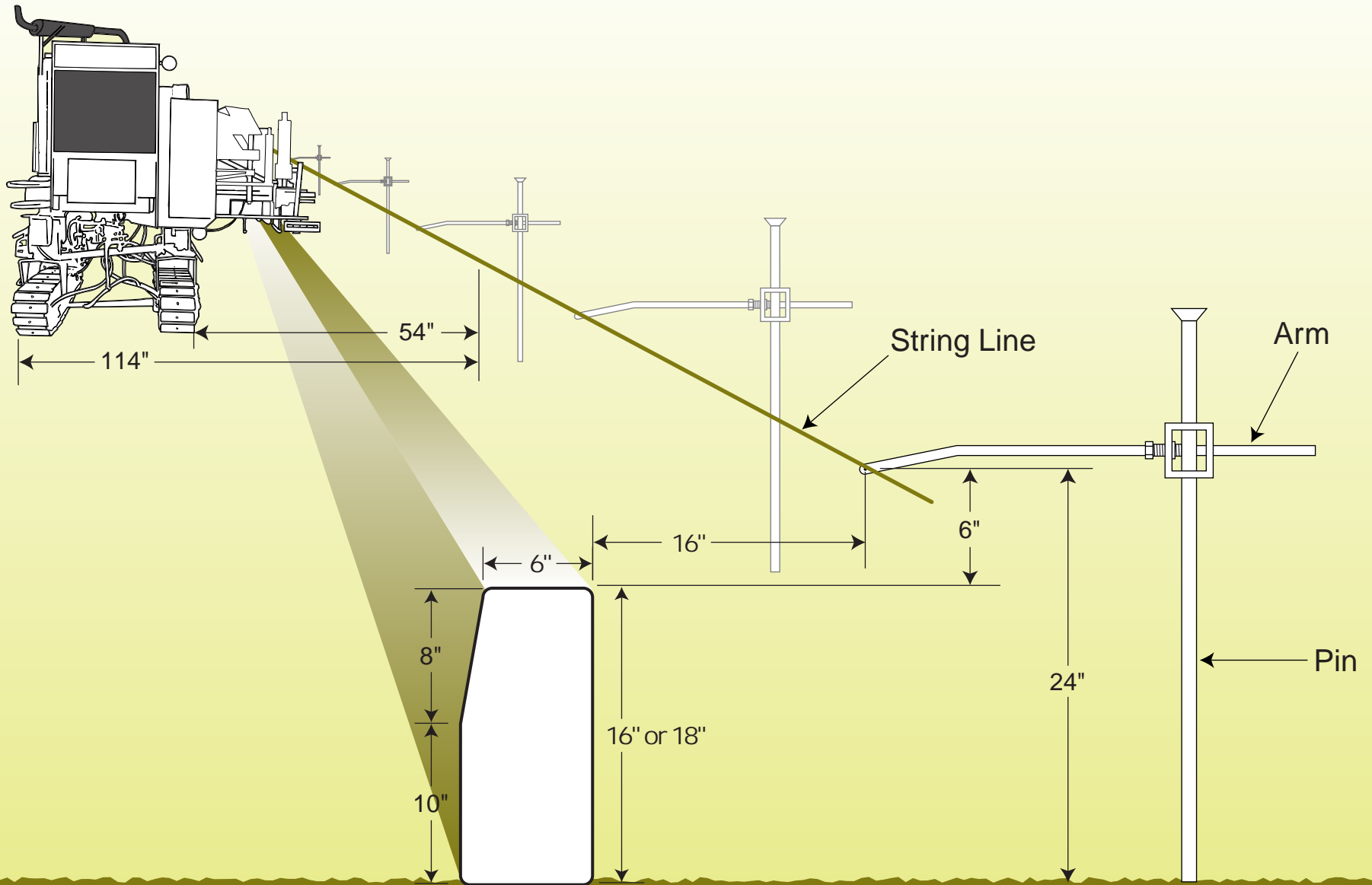
36" Valley Gutter



Ruhlman Bros Inc
65 Musselman Road, Hanover, PA 17331
www.ruhlmanbrothers.com

office: 717-637-3235
fax: 717-637-8669

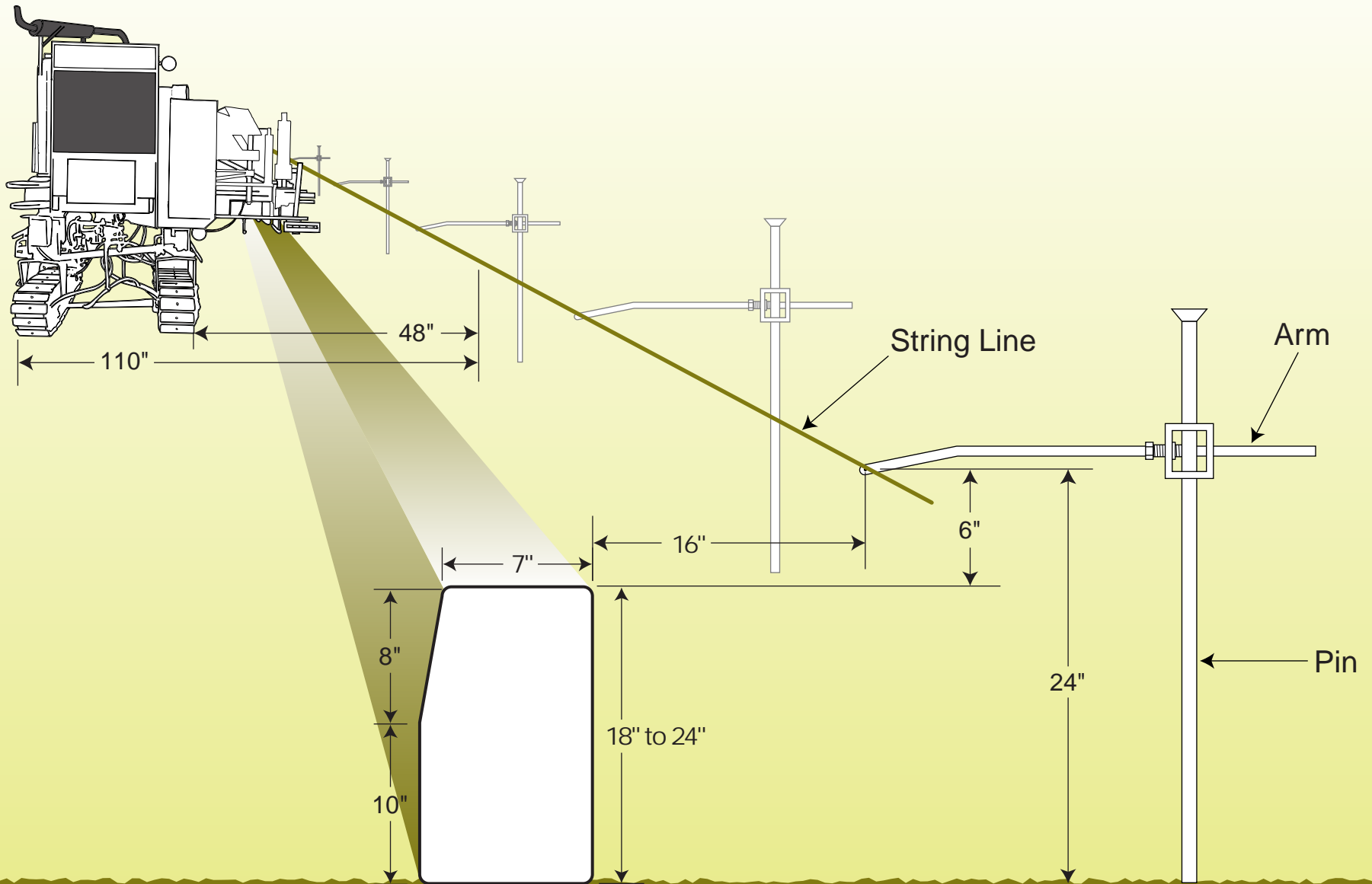
6" x 16" Vertical Curb



Ruhlman Bros Inc
65 Musselman Road, Hanover, PA 17331
www.ruhlmanbrothers.com

office: 717-637-3235
fax: 717-637-8669

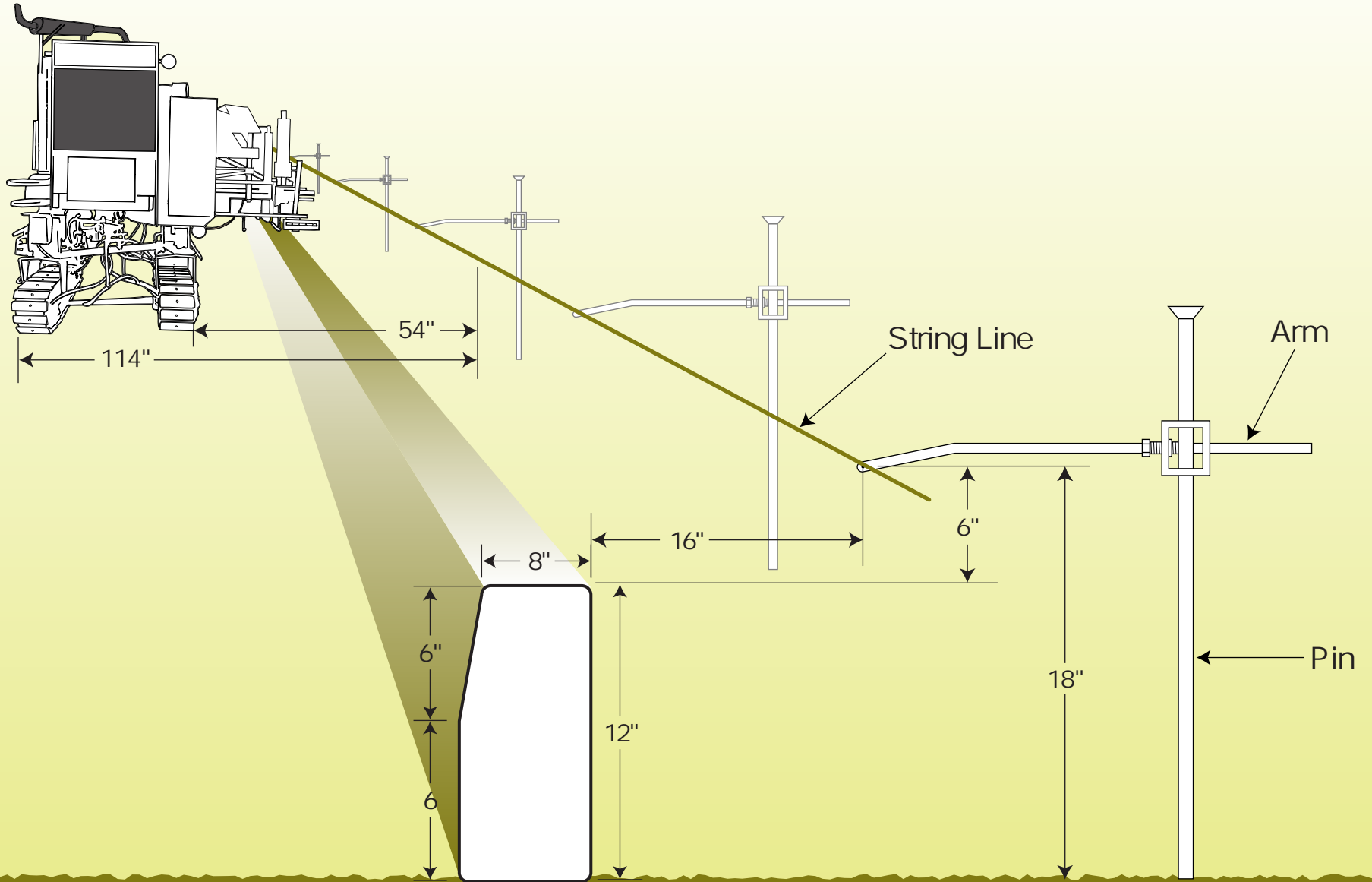
7" x 18" Vertical Curb



Ruhlman Bros Inc
65 Musselman Road, Hanover, PA 17331
www.ruhlmanbrothers.com

office: 717-637-3235
fax: 717-637-8669

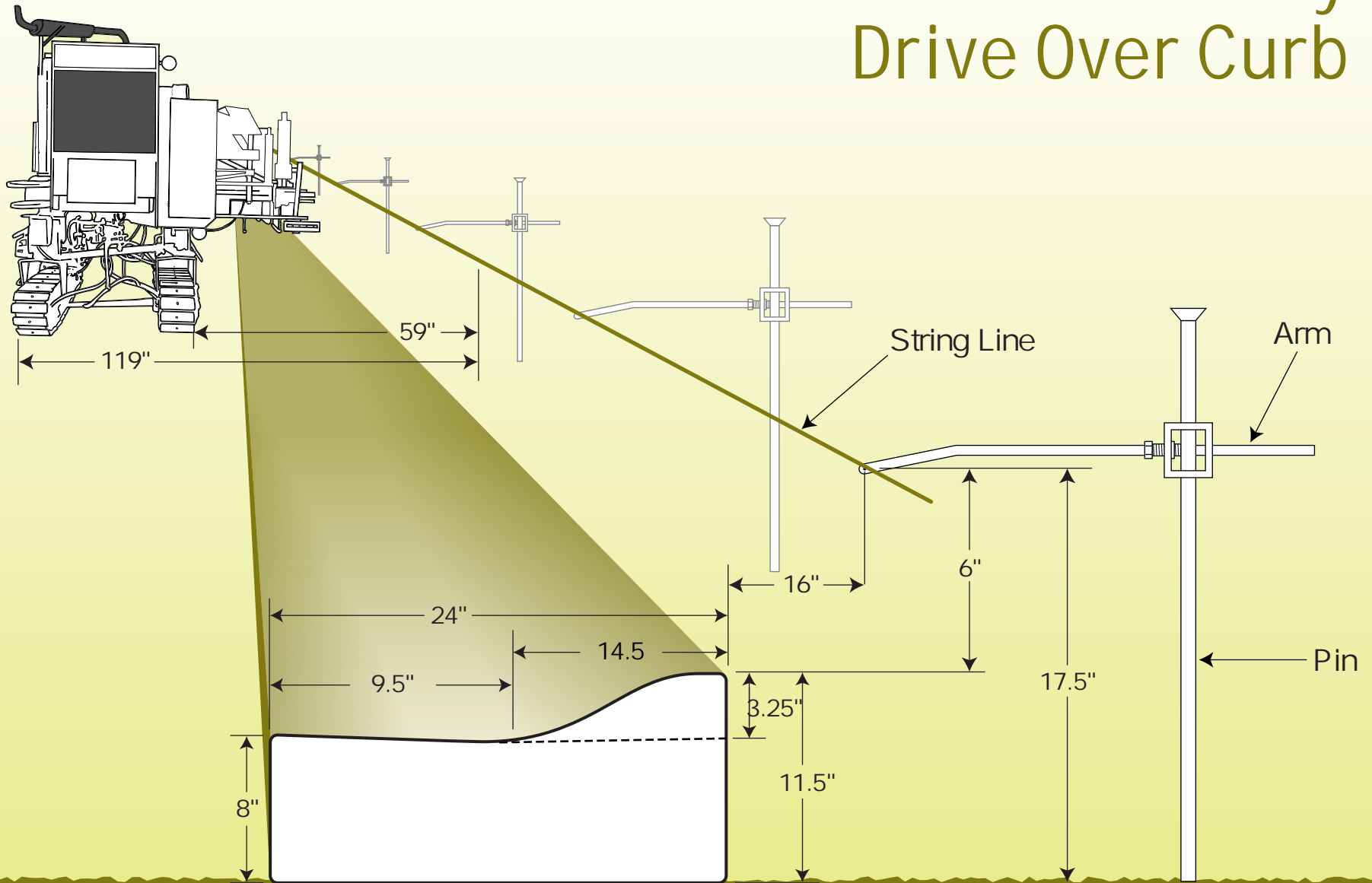
8" x 12" Vertical Curb



Ruhlman Bros Inc
65 Musselman Road, Hanover, PA 17331
www.ruhlmanbrothers.com

office: 717-637-3235
fax: 717-637-8669

Anne Arundel County Drive Over Curb



Ruhlman Bros Inc

65 Musselman Road, Hanover, PA 17331

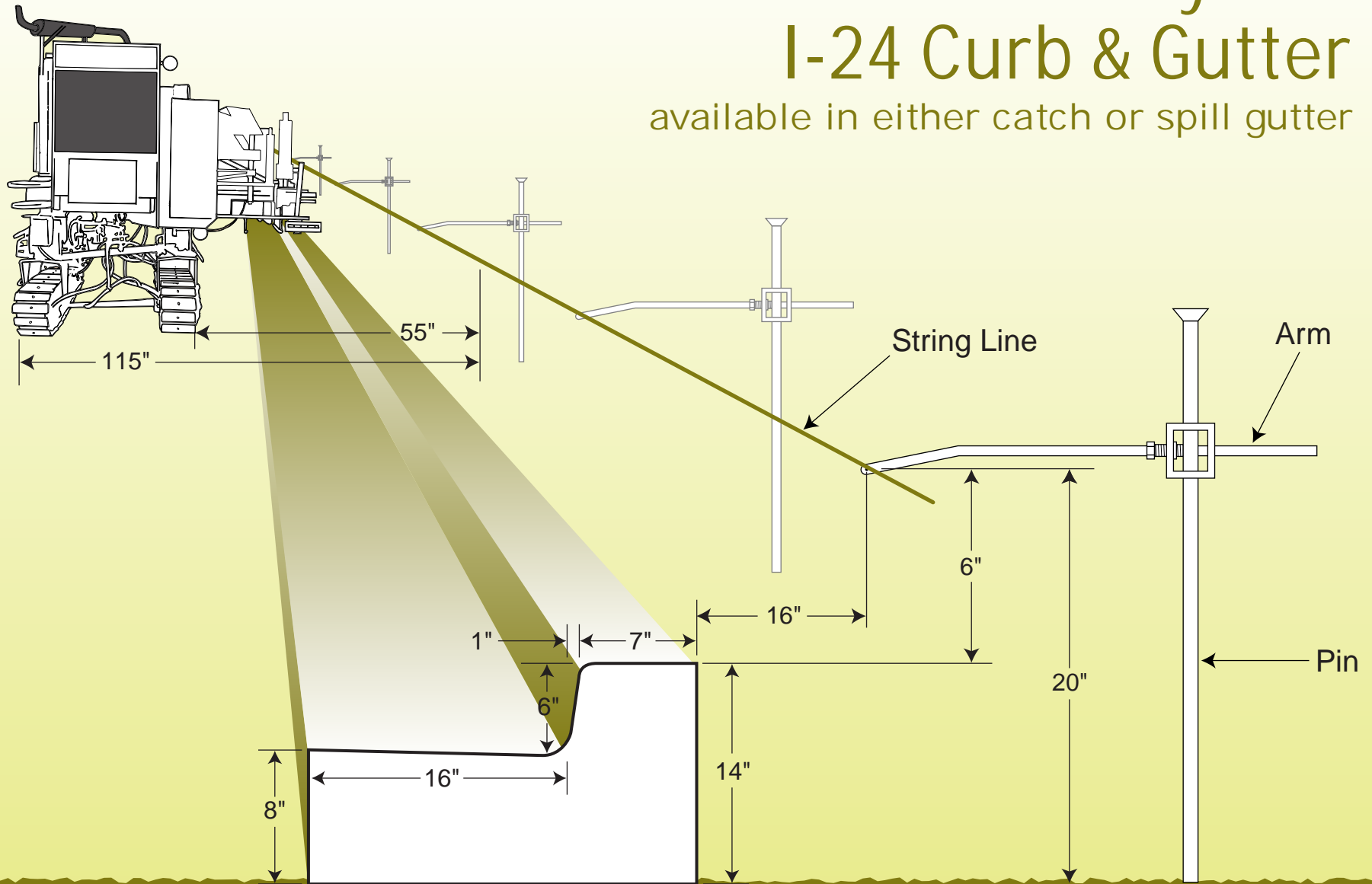
www.ruhlmanbrothers.com

office: 717-637-3235

fax: 717-637-8669

Anne Arundel County Std. I-24 Curb & Gutter

available in either catch or spill gutter

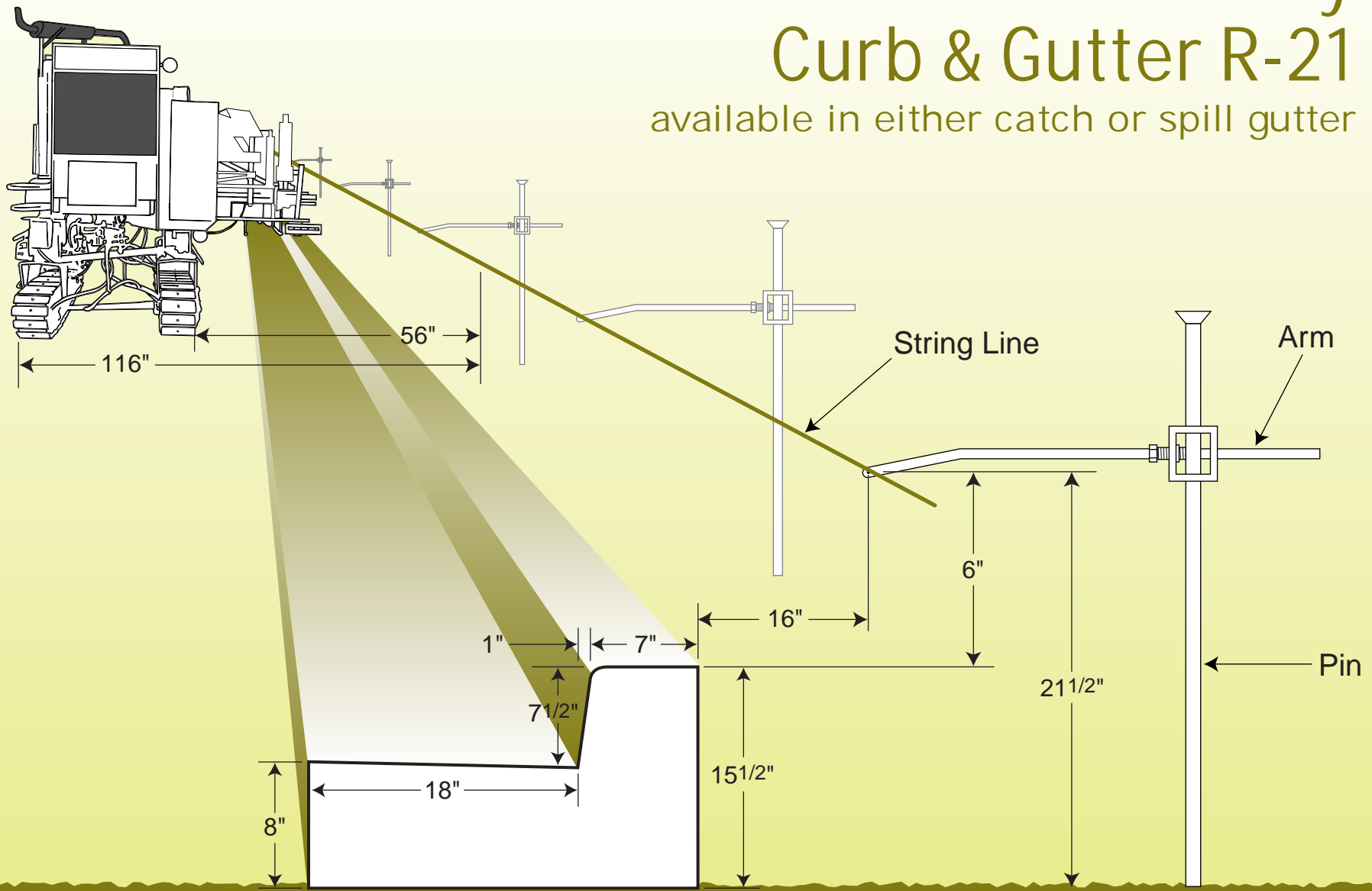


Ruhlman Bros Inc
65 Musselman Road, Hanover, PA 17331
www.ruhlmanbrothers.com

office: 717-637-3235
fax: 717-637-8669

Baltimore County Curb & Gutter R-21

available in either catch or spill gutter



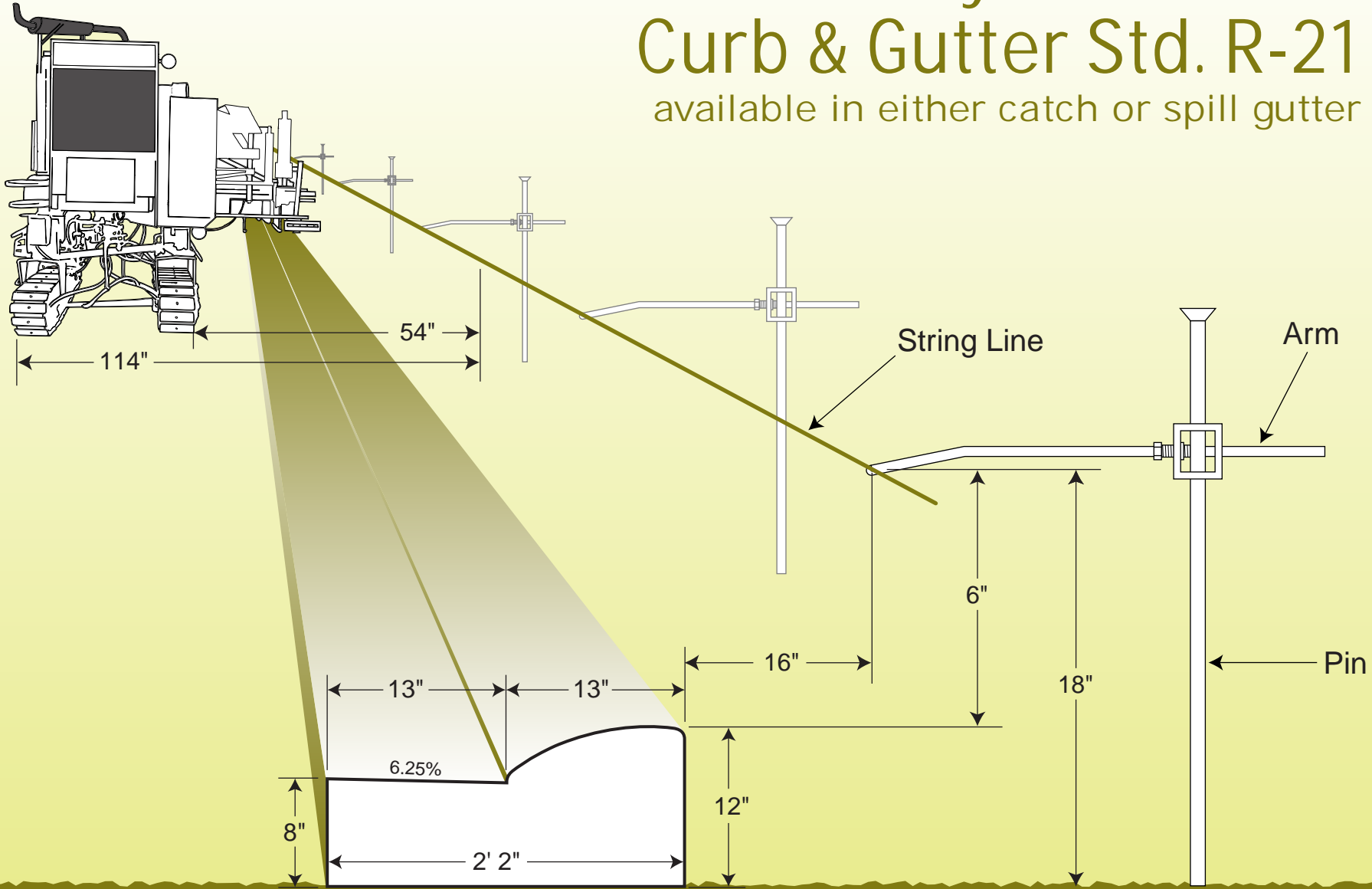
Ruhlman Bros Inc
65 Musselman Road, Hanover, PA 17331
www.ruhlmanbrothers.com

office: 717-637-3235
fax: 717-637-8669

Baltimore County Mountable

Curb & Gutter Std. R-21

available in either catch or spill gutter



Ruhlman Bros Inc

65 Musselman Road, Hanover, PA 17331

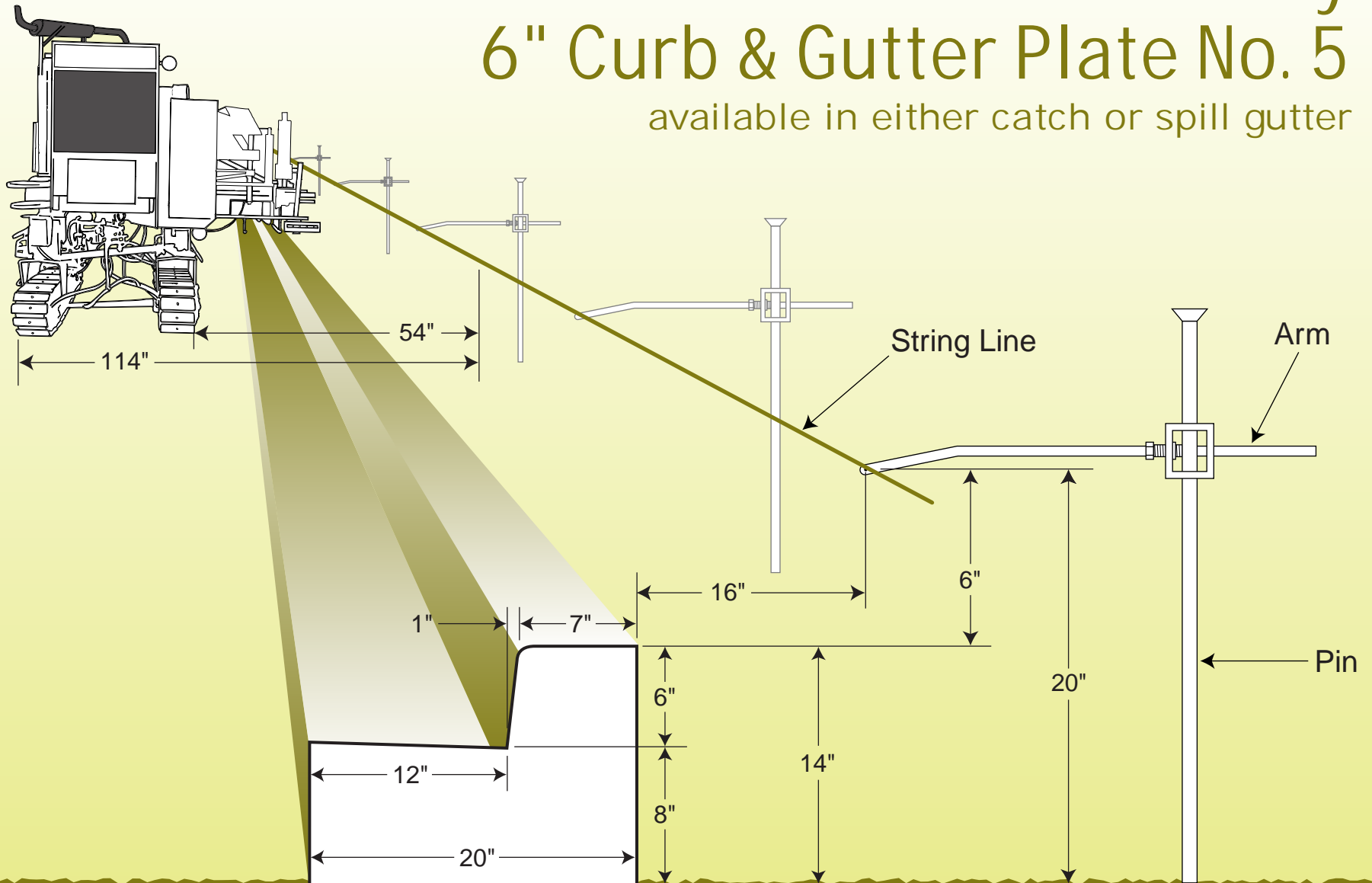
www.ruhlmanbrothers.com

office: 717-637-3235

fax: 717-637-8669

Carroll County 6" Curb & Gutter Plate No. 5

available in either catch or spill gutter

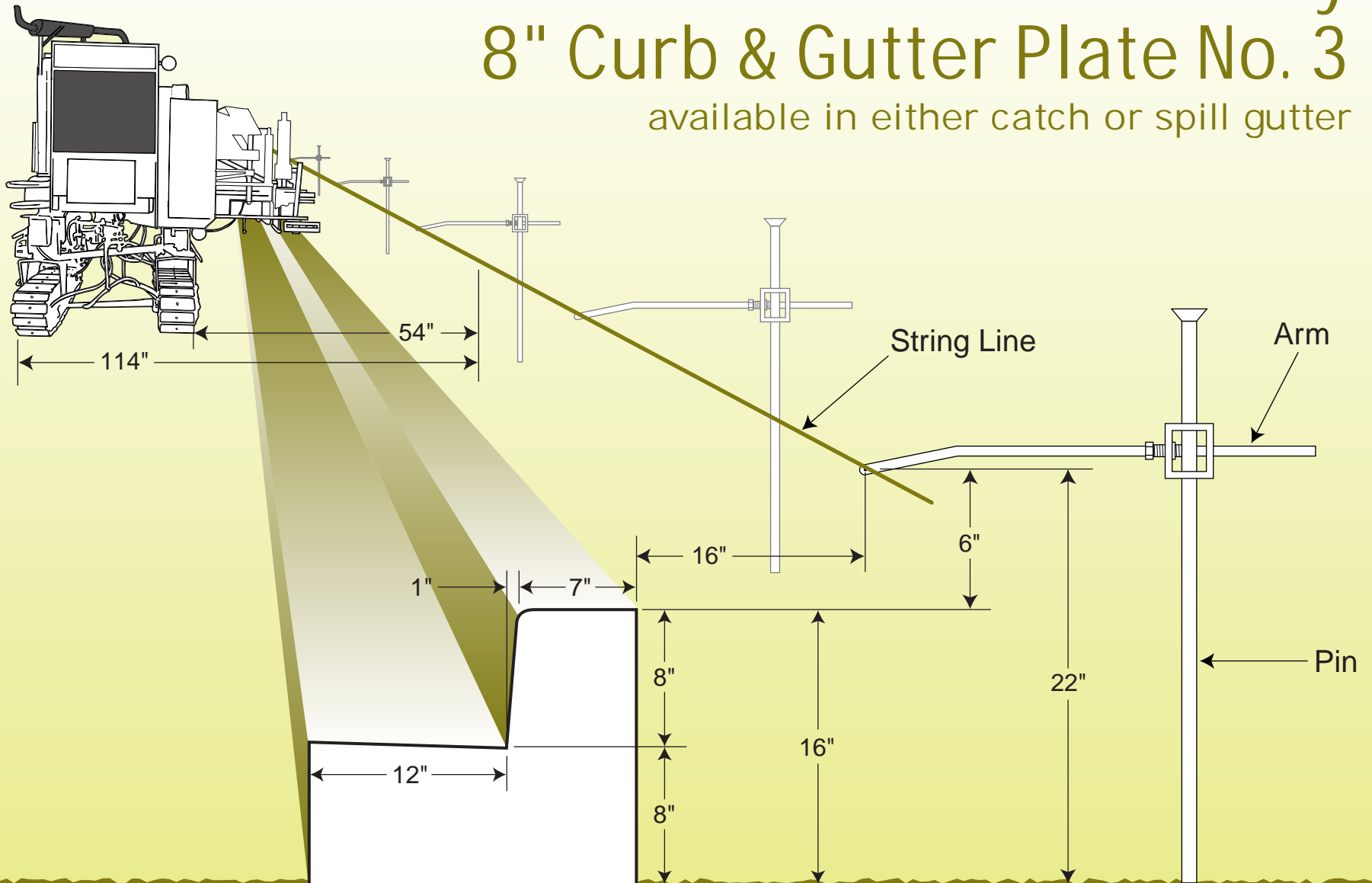


Ruhlman Bros Inc
65 Musselman Road, Hanover, PA 17331
www.ruhlmanbrothers.com

office: 717-637-3235
fax: 717-637-8669

Carroll County 8" Curb & Gutter Plate No. 3

available in either catch or spill gutter



Ruhlman Bros Inc

65 Musselman Road, Hanover, PA 17331

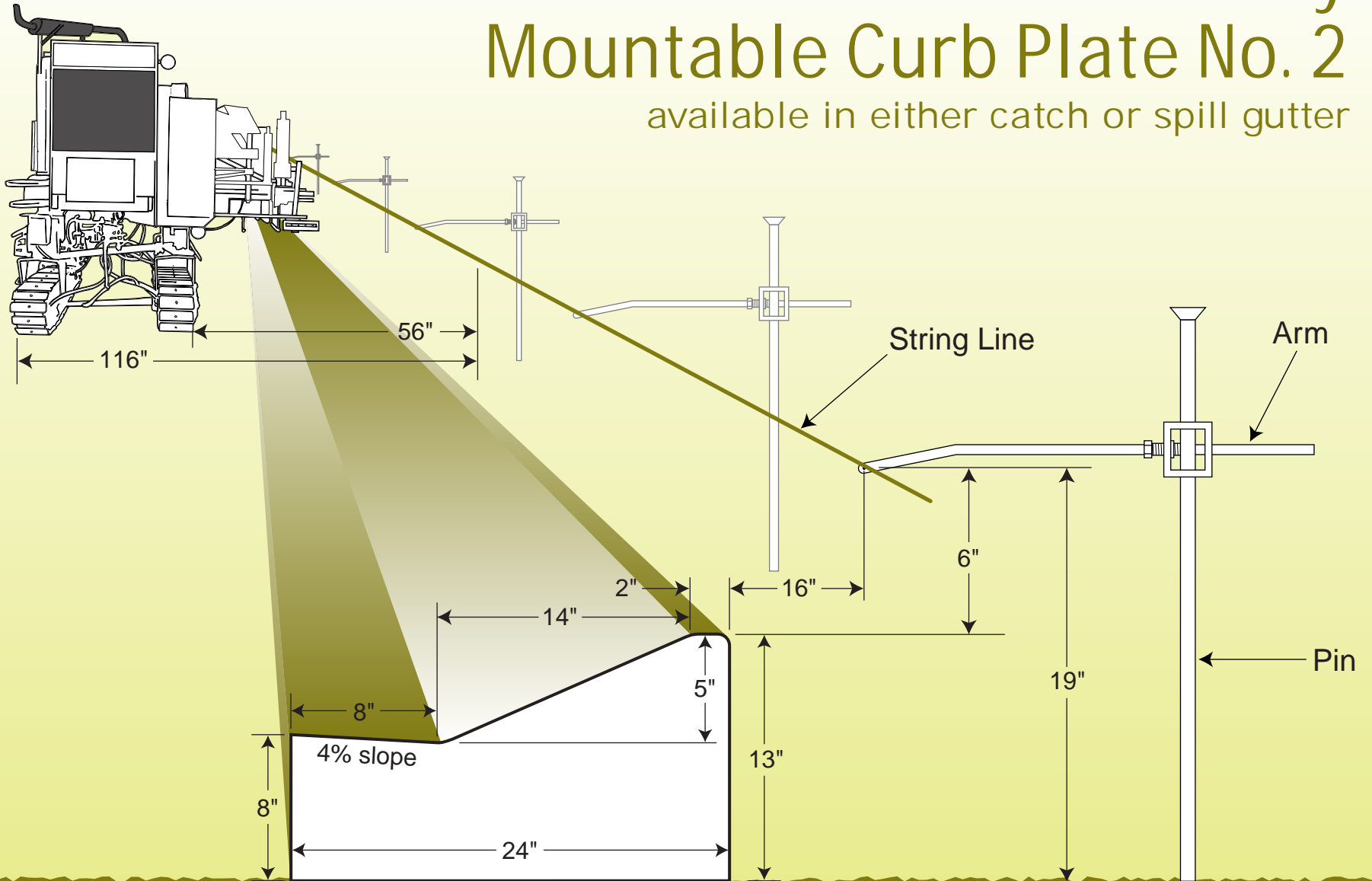
www.ruhlmanbrothers.com

office: 717-637-3235

fax: 717-637-8669

Carroll County Mountable Curb Plate No. 2

available in either catch or spill gutter



Ruhlman Bros Inc

65 Musselman Road, Hanover, PA 17331

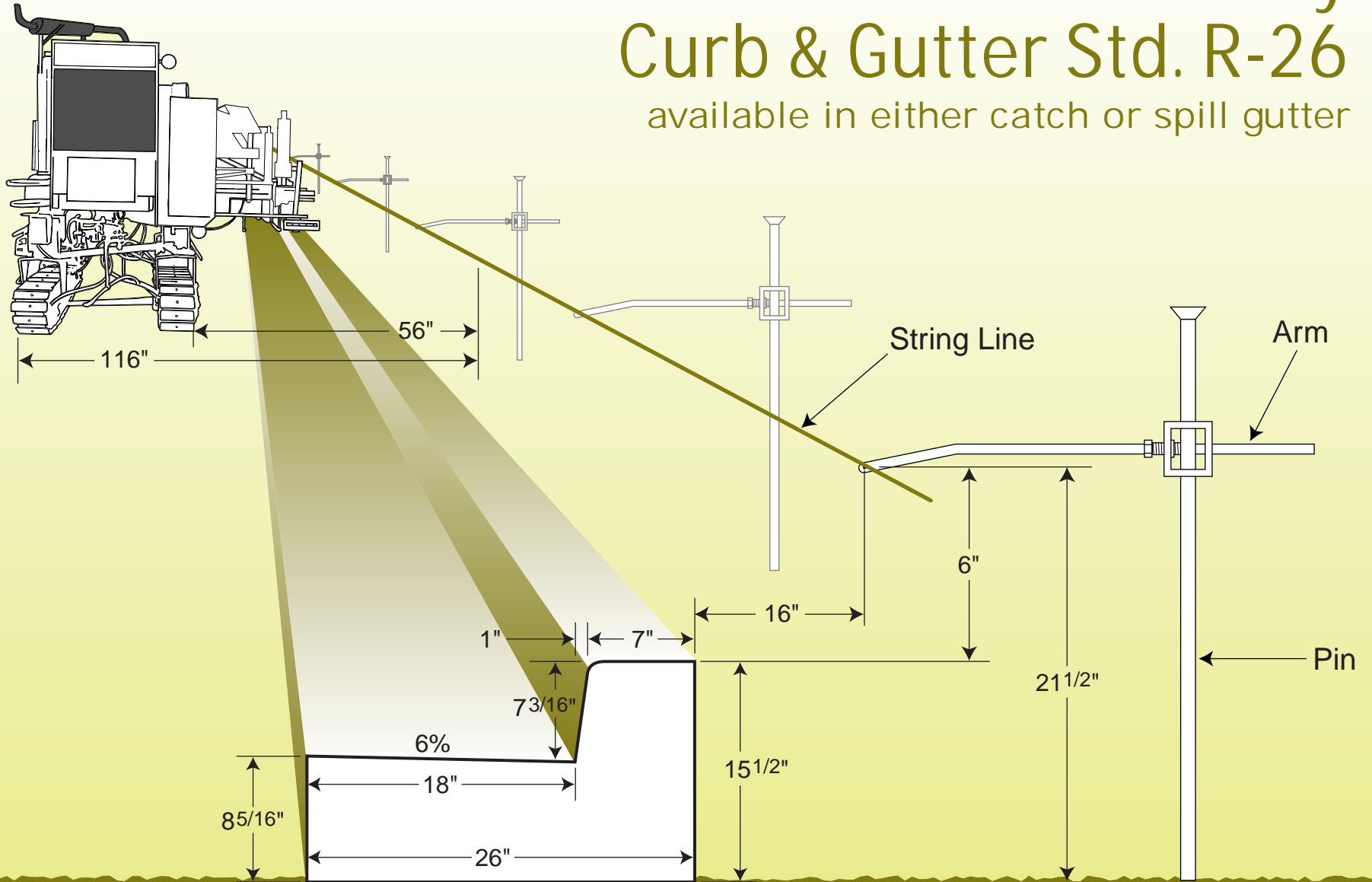
www.ruhlmanbrothers.com

office: 717-637-3235

fax: 717-637-8669

Cecil County Curb & Gutter Std. R-26

available in either catch or spill gutter

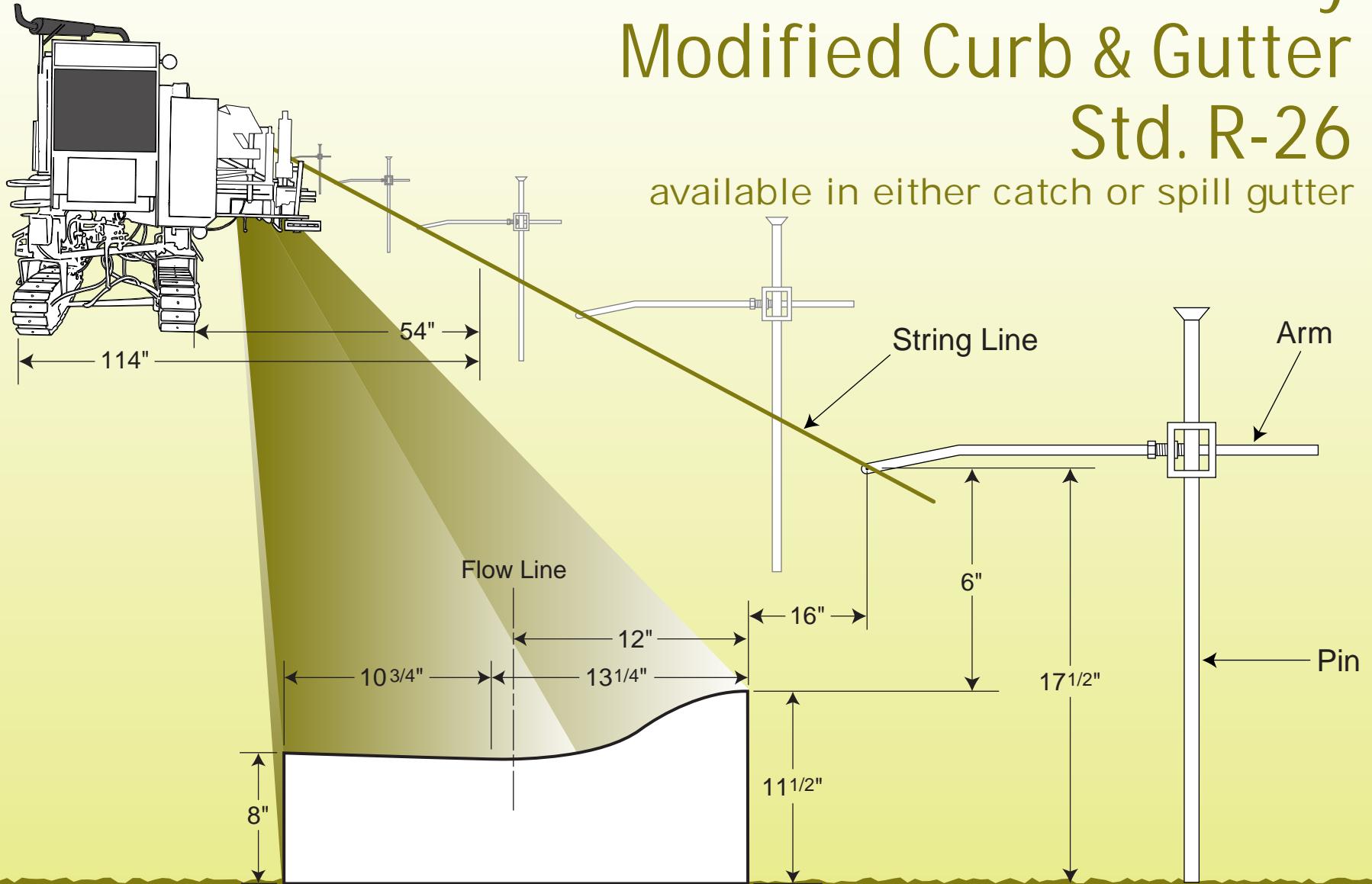


Ruhlman Bros Inc
65 Musselman Road, Hanover, PA 17331
www.ruhlmanbrothers.com

office: 717-637-3235
fax: 717-637-8669

Cecil County Modified Curb & Gutter Std. R-26

available in either catch or spill gutter



Ruhlman Bros Inc

65 Musselman Road, Hanover, PA 17331

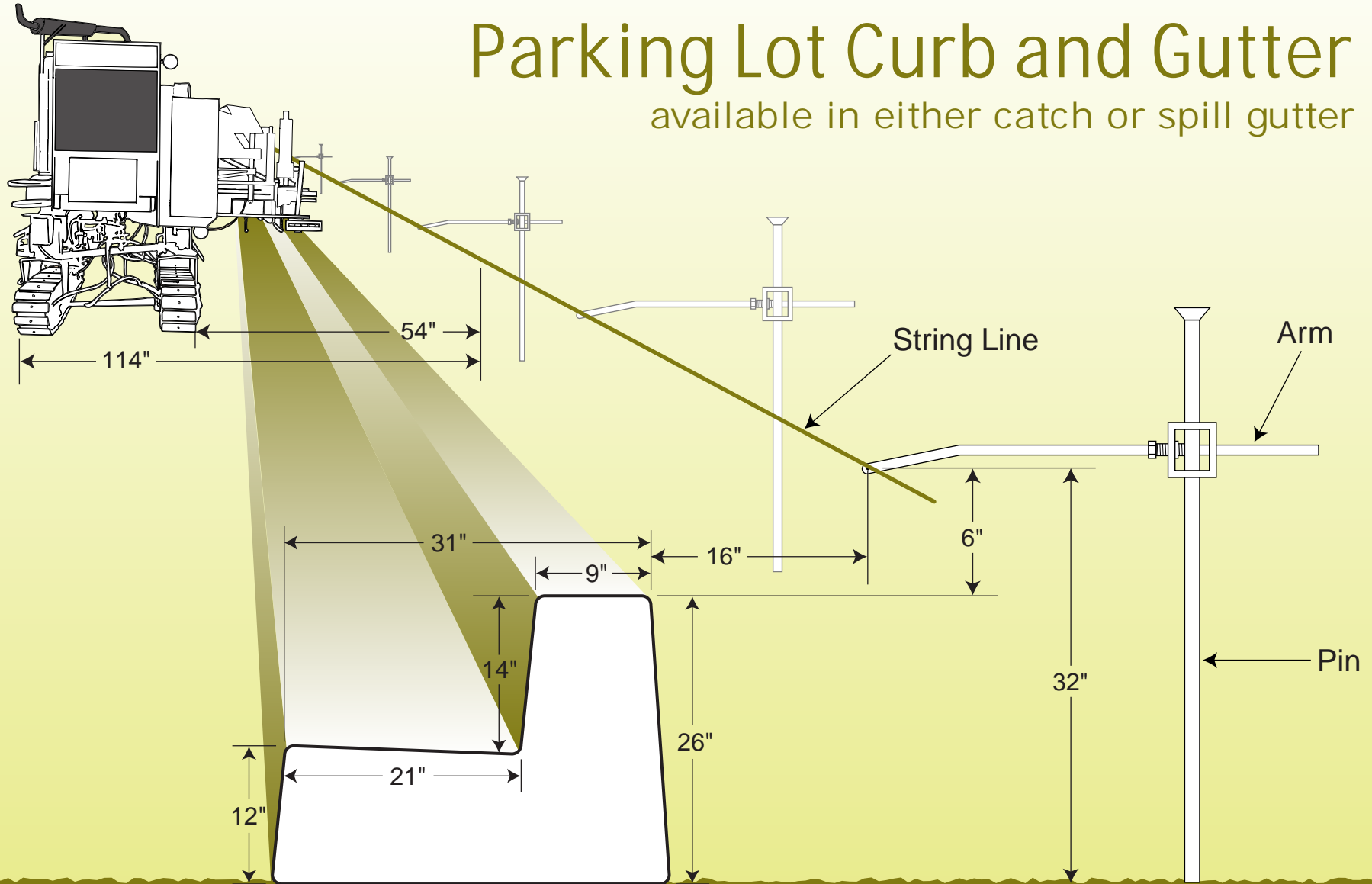
www.ruhlmanbrothers.com

office: 717-637-3235

fax: 717-637-8669

Commercial Tractor Trailer Parking Lot Curb and Gutter

available in either catch or spill gutter



Ruhlman Bros Inc

65 Musselman Road, Hanover, PA 17331

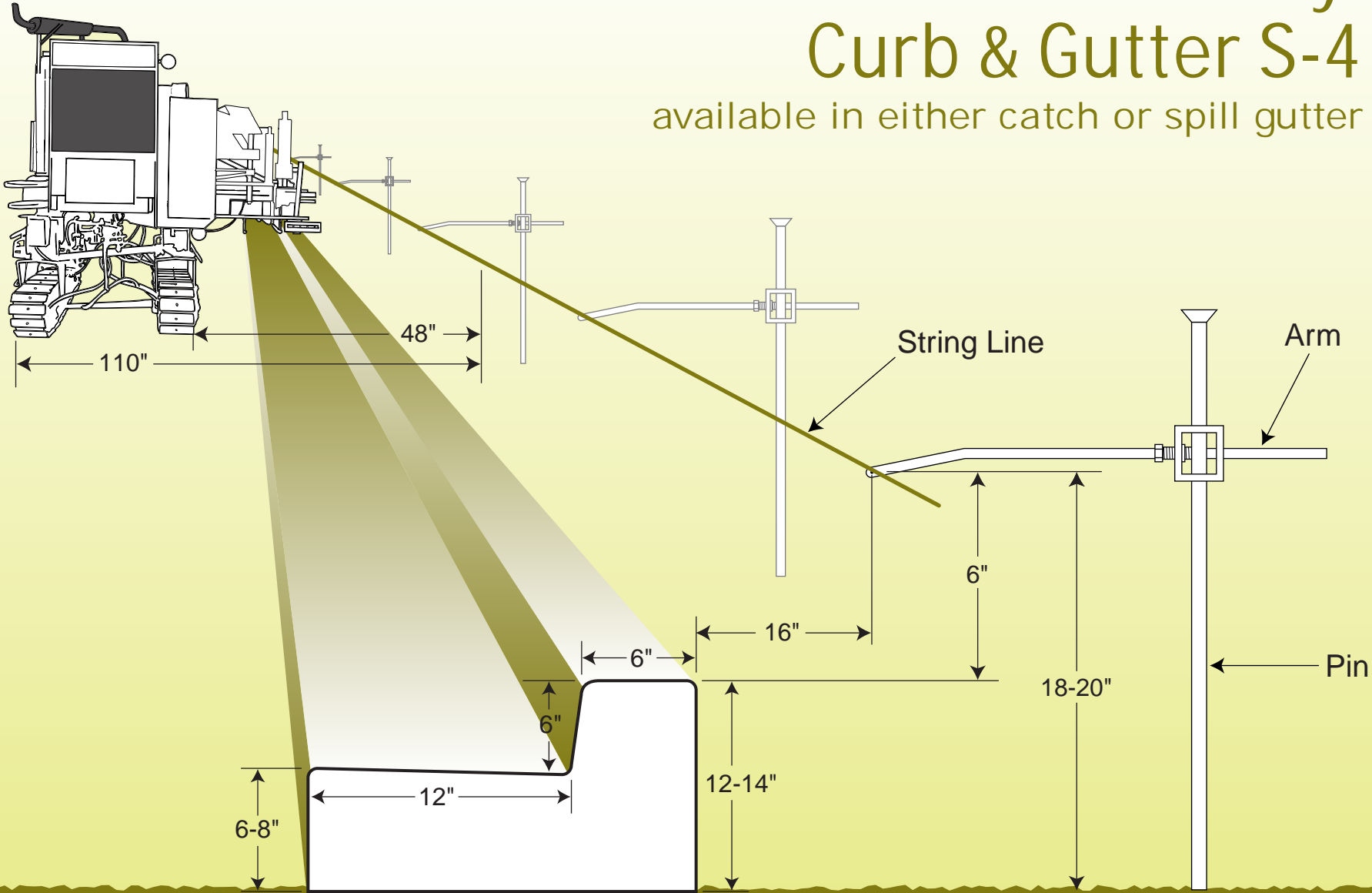
www.ruhlmanbrothers.com

office: 717-637-3235

fax: 717-637-8669

Frederick City Curb & Gutter S-4

available in either catch or spill gutter



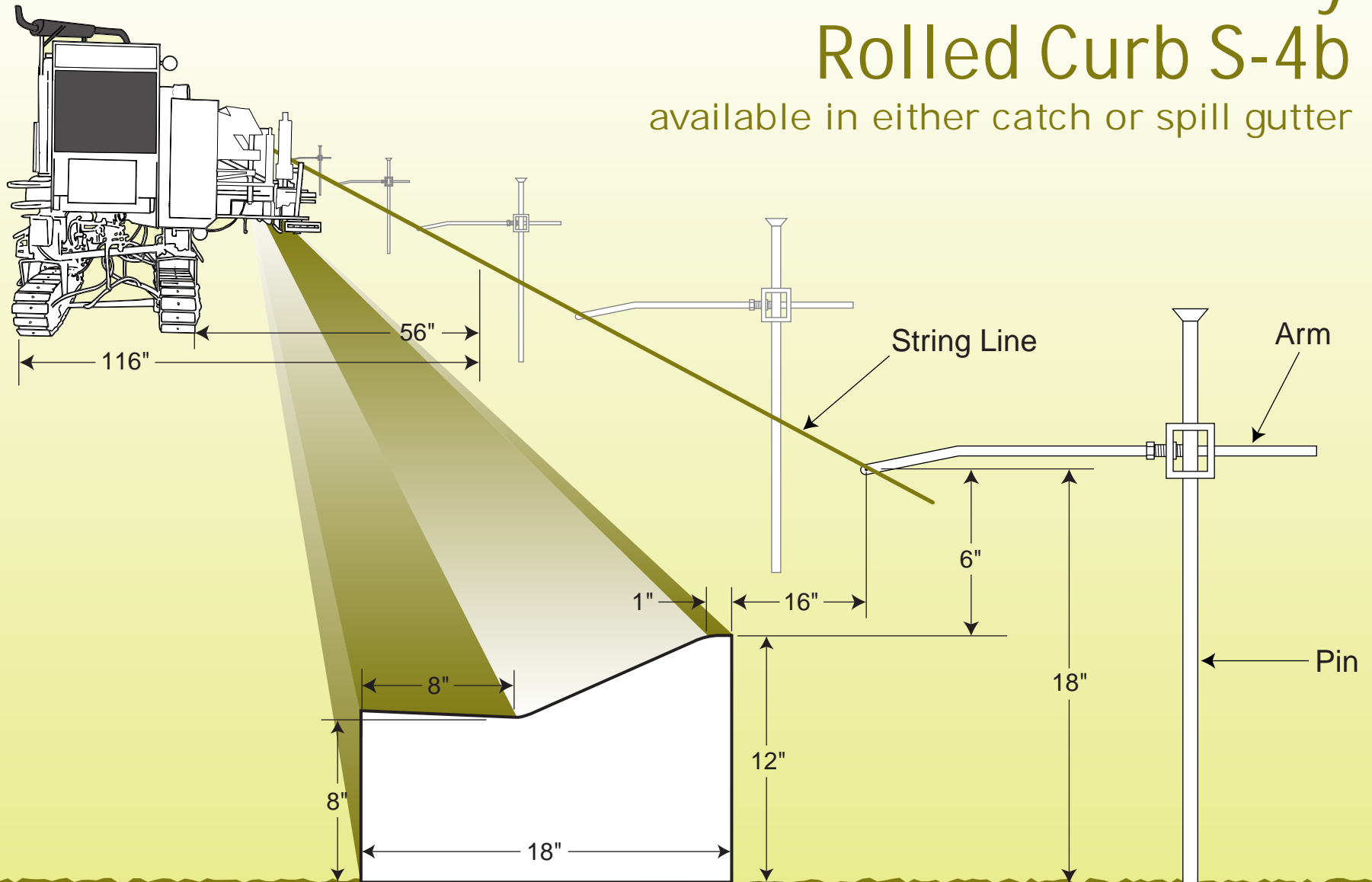
Ruhlman Bros Inc

65 Musselman Road, Hanover, PA 17331
www.ruhlmanbrothers.com

office: 717-637-3235
fax: 717-637-8669

Frederick City Rolled Curb S-4b

available in either catch or spill gutter



Ruhlman Bros Inc

65 Musselman Road, Hanover, PA 17331

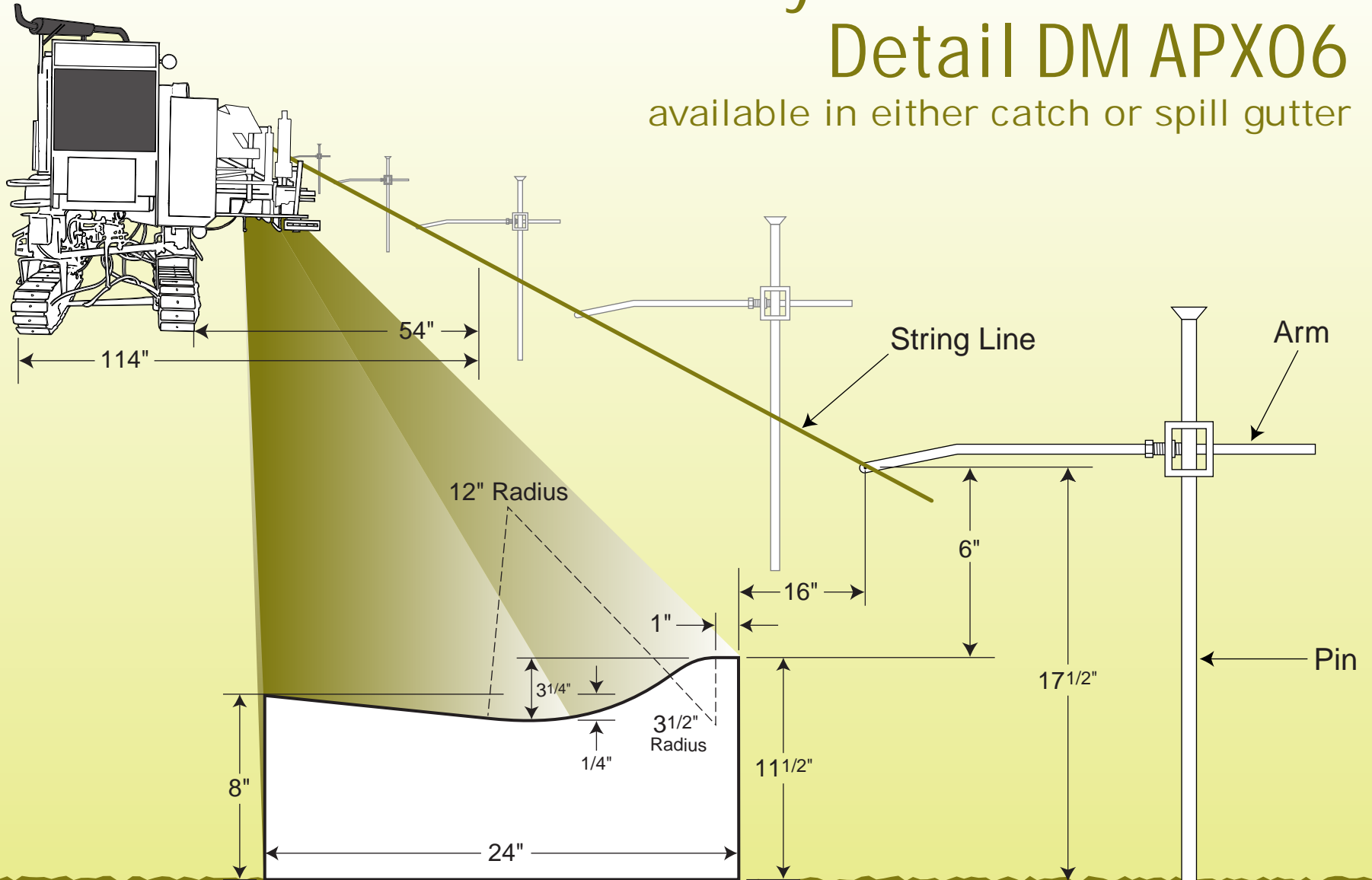
www.ruhlmanbrothers.com

office: 717-637-3235

fax: 717-637-8669

Frederick County Mountable Curb Detail DM APX06

available in either catch or spill gutter



Ruhlman Bros Inc

65 Musselman Road, Hanover, PA 17331

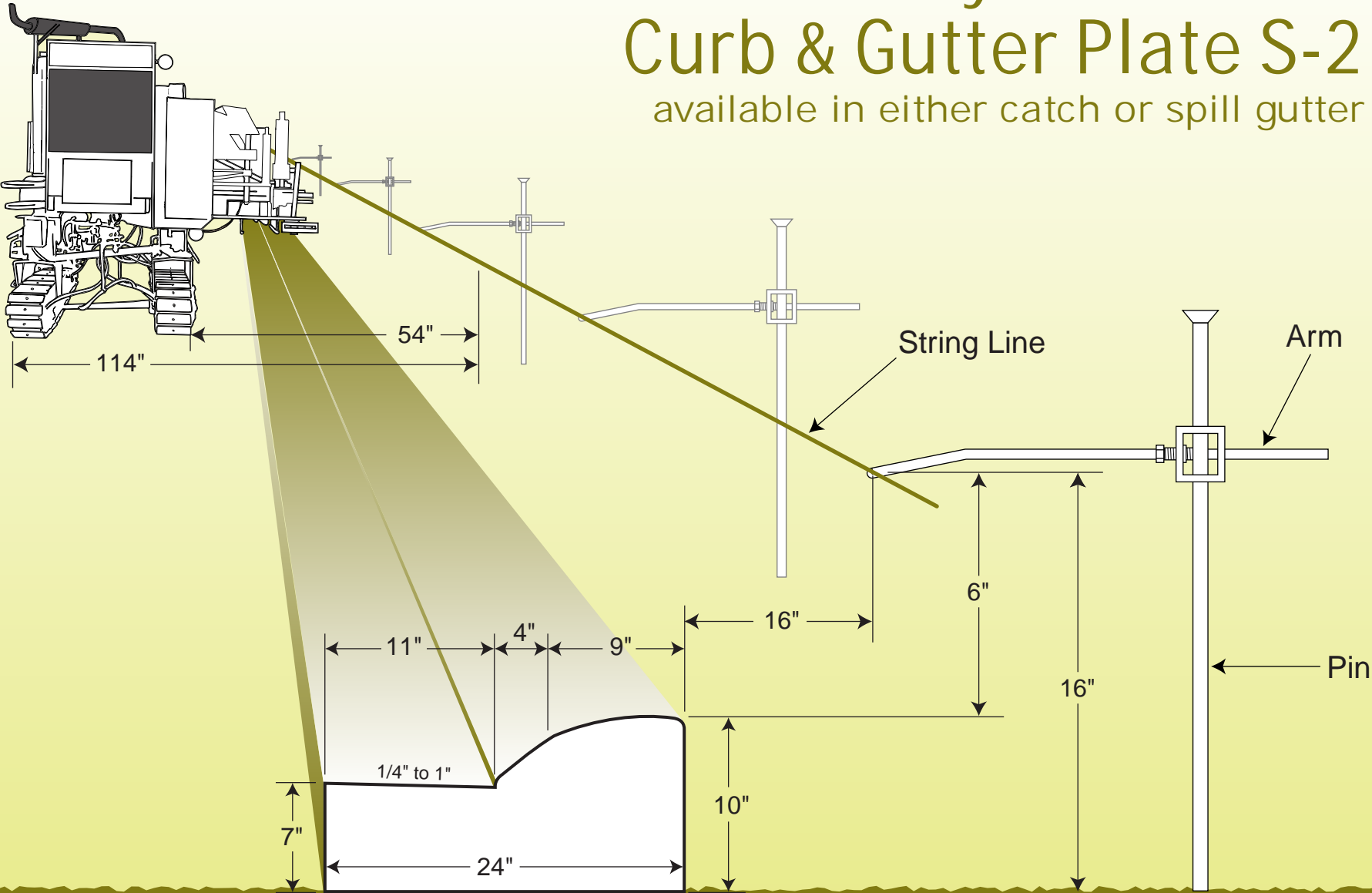
www.ruhlmanbrothers.com

office: 717-637-3235

fax: 717-637-8669

Harford County Mountable Curb & Gutter Plate S-2

available in either catch or spill gutter

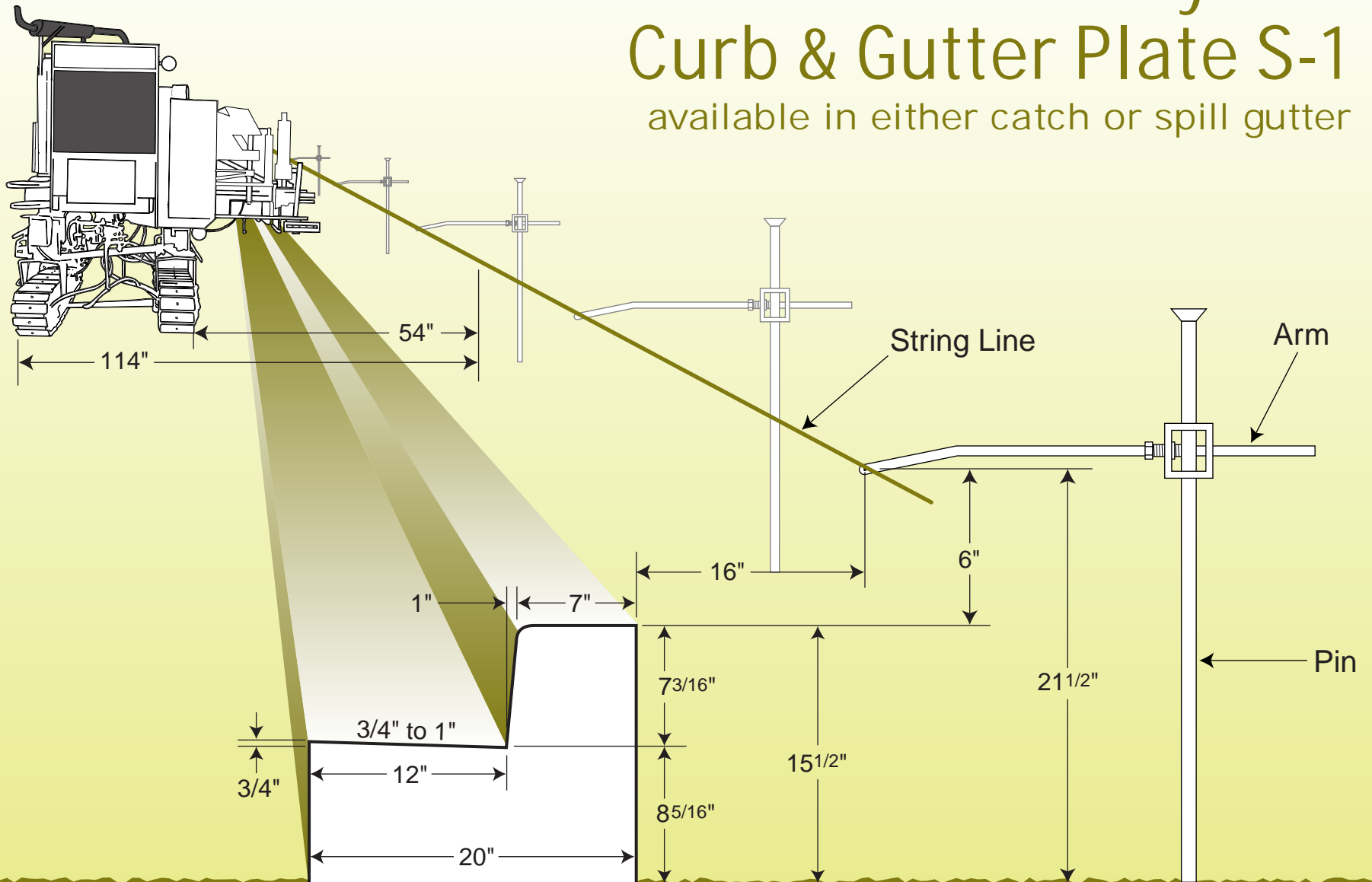


Ruhlman Bros Inc
65 Musselman Road, Hanover, PA 17331
www.ruhlmanbrothers.com

office: 717-637-3235
fax: 717-637-8669

Harford County Std. Curb & Gutter Plate S-1

available in either catch or spill gutter

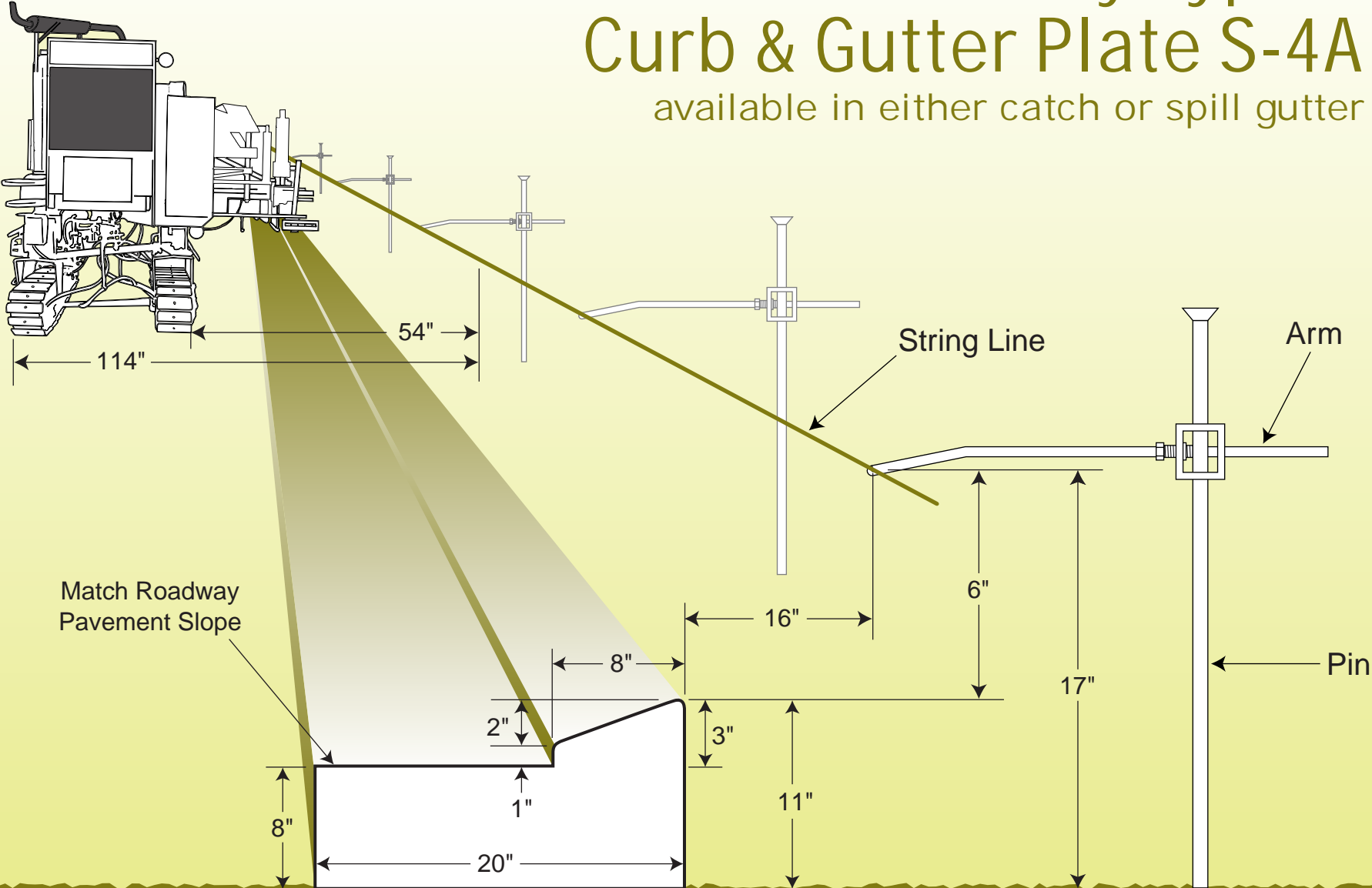


Ruhlman Bros Inc
65 Musselman Road, Hanover, PA 17331
www.ruhlmanbrothers.com

office: 717-637-3235
fax: 717-637-8669

Harford County Type C Curb & Gutter Plate S-4A

available in either catch or spill gutter



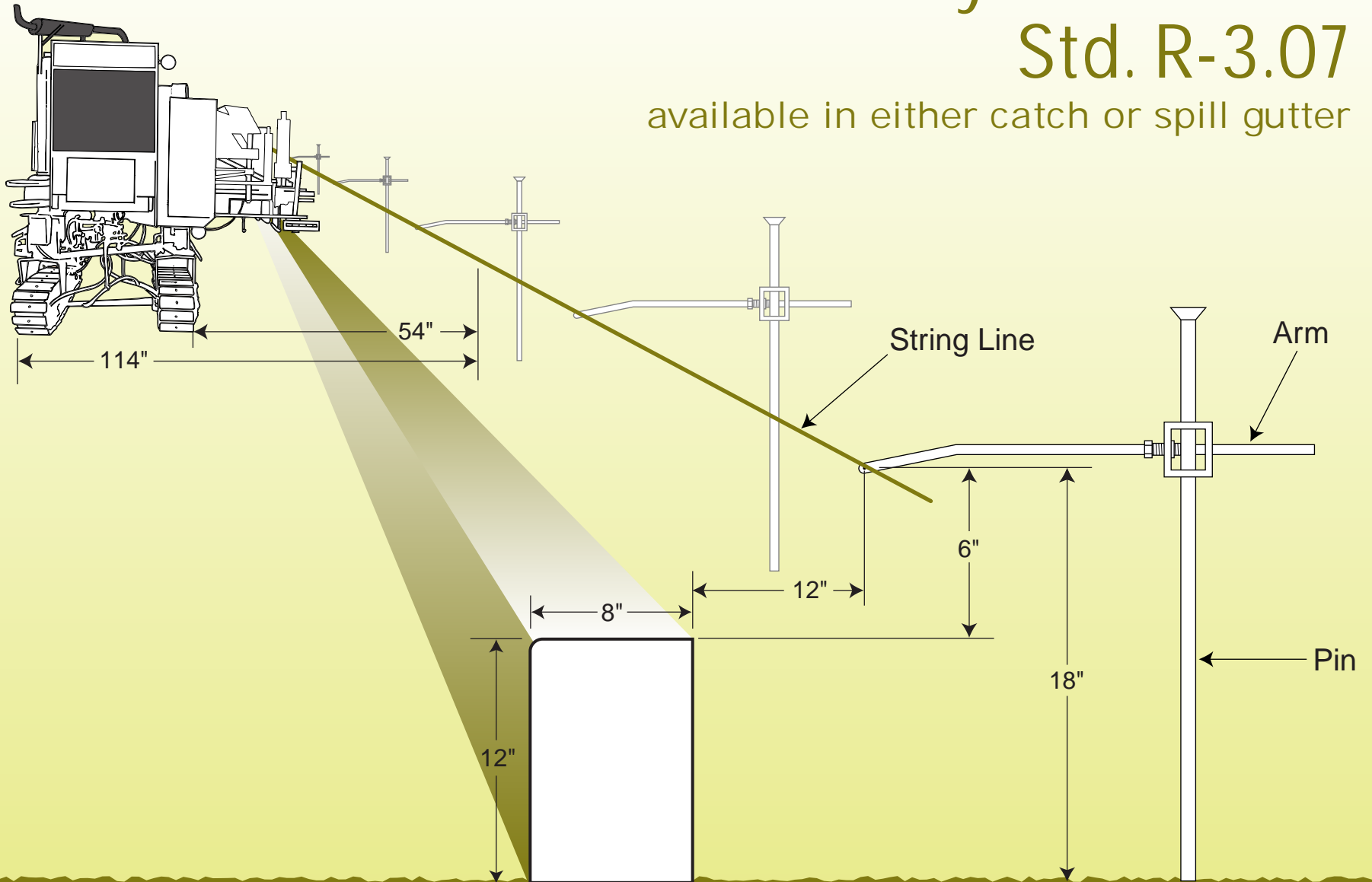
Ruhlman Bros Inc

65 Musselman Road, Hanover, PA 17331
www.ruhlmanbrothers.com

office: 717-637-3235
fax: 717-637-8669

Howard County Flush Curb Std. R-3.07

available in either catch or spill gutter



Ruhlman Bros Inc

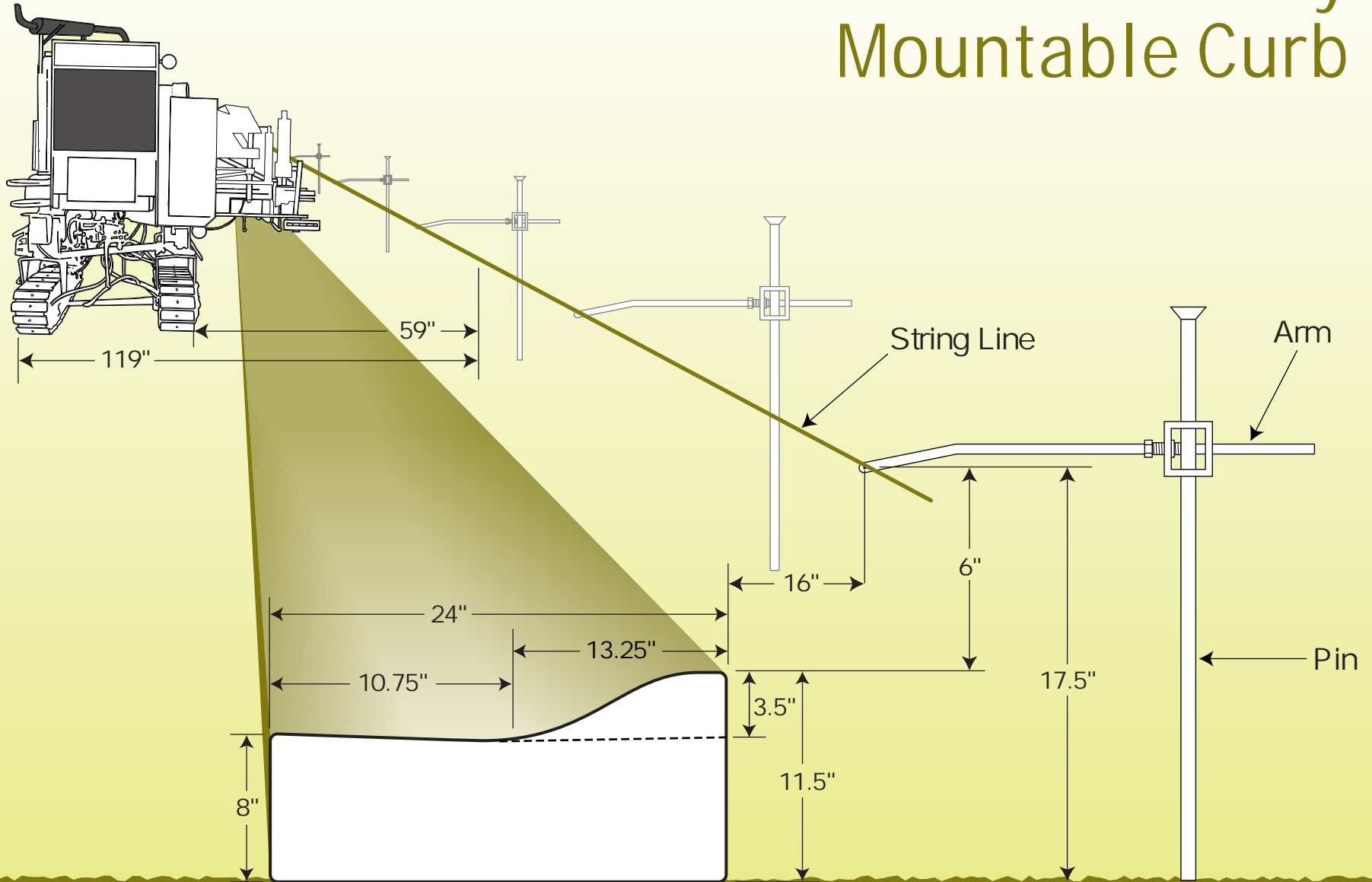
65 Musselman Road, Hanover, PA 17331

www.ruhlmanbrothers.com

office: 717-637-3235

fax: 717-637-8669

Howard County Mountable Curb

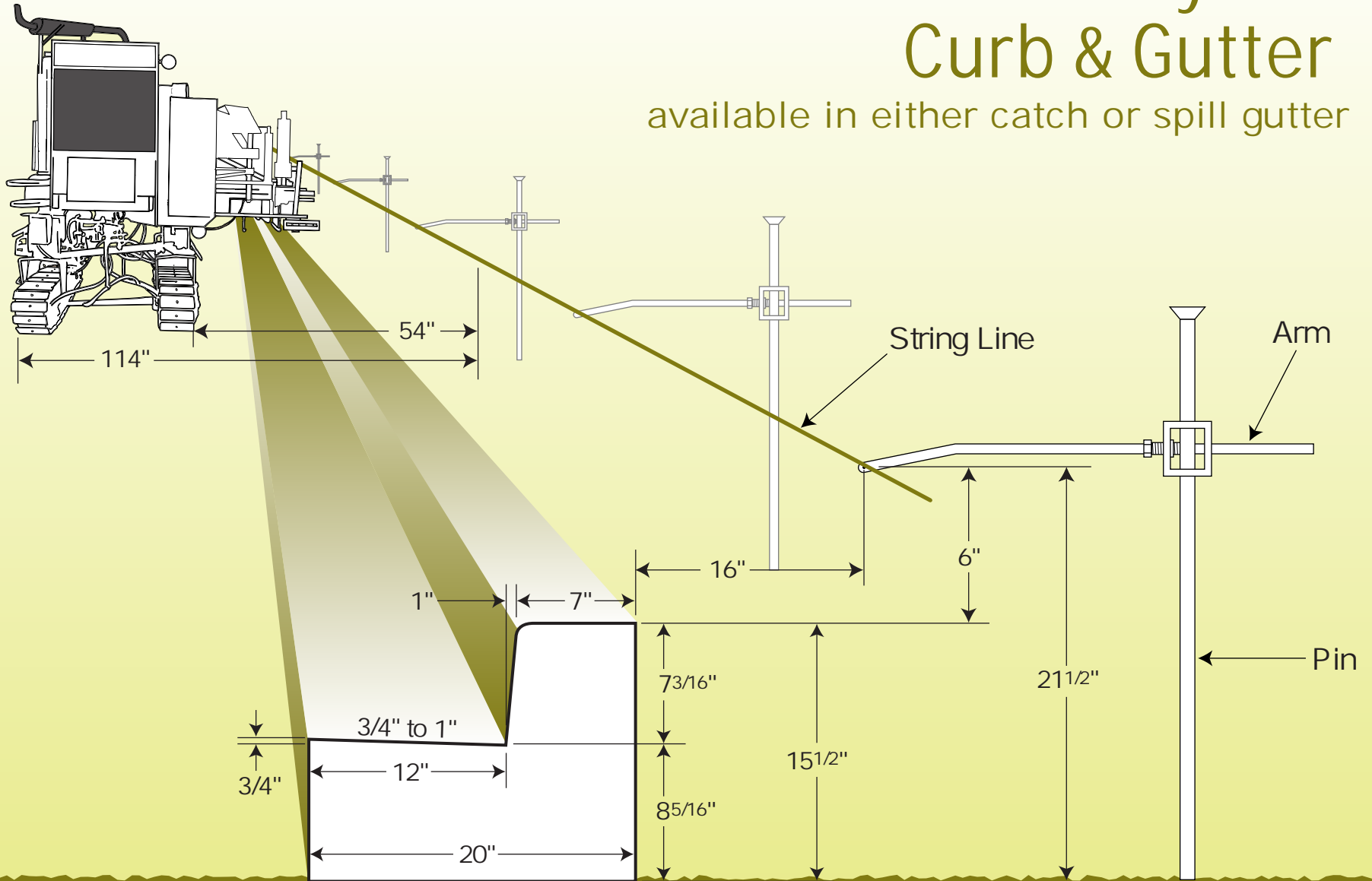


Ruhlman Bros Inc
65 Musselman Road, Hanover, PA 17331
www.ruhlmanbrothers.com

office: 717-637-3235
fax: 717-637-8669

Howard County Std. Curb & Gutter

available in either catch or spill gutter



Ruhlman Bros Inc

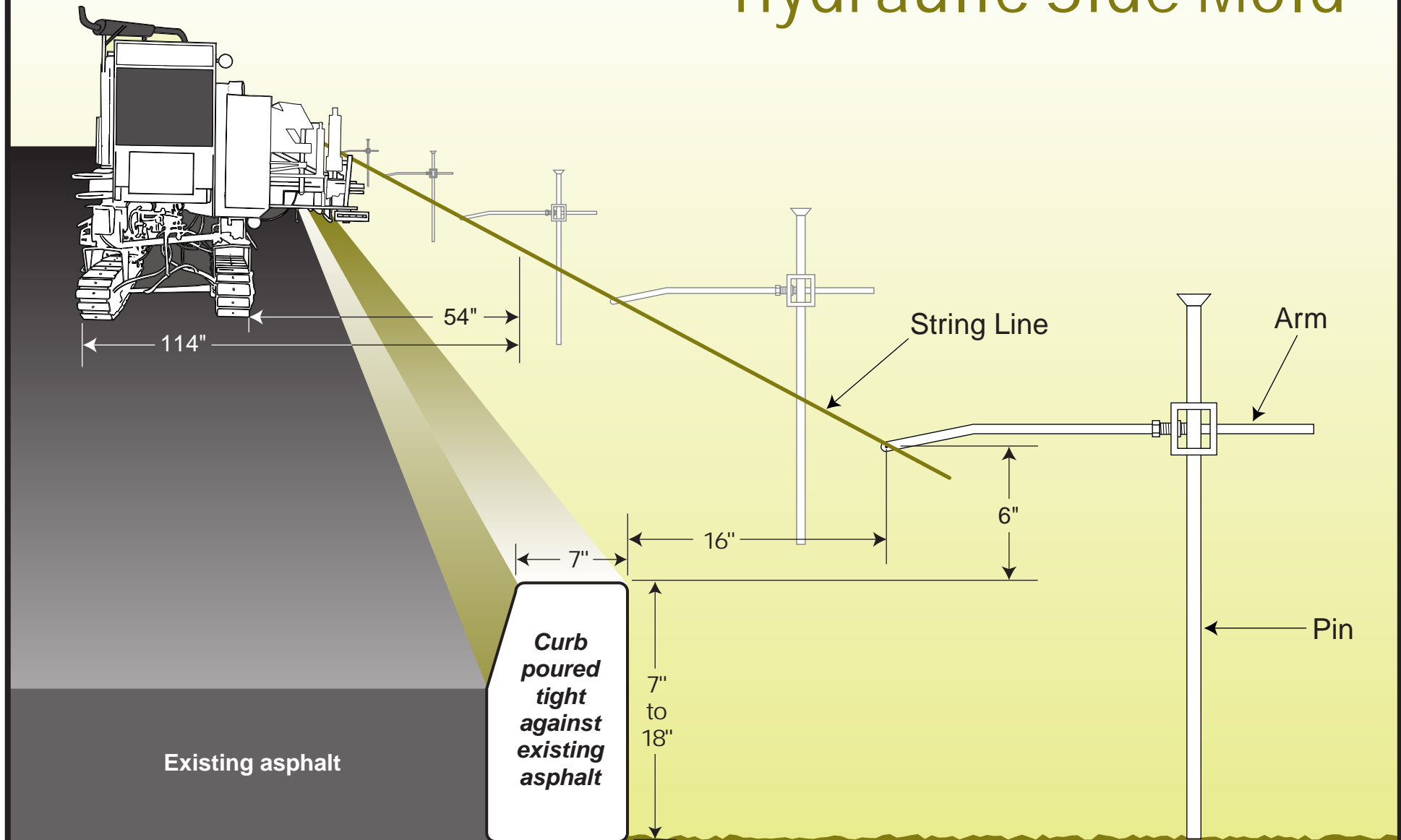
65 Musselman Road, Hanover, PA 17331

www.ruhlmanbrothers.com

office: 717-637-3235

fax: 717-637-8669

Hydraulic Side Mold

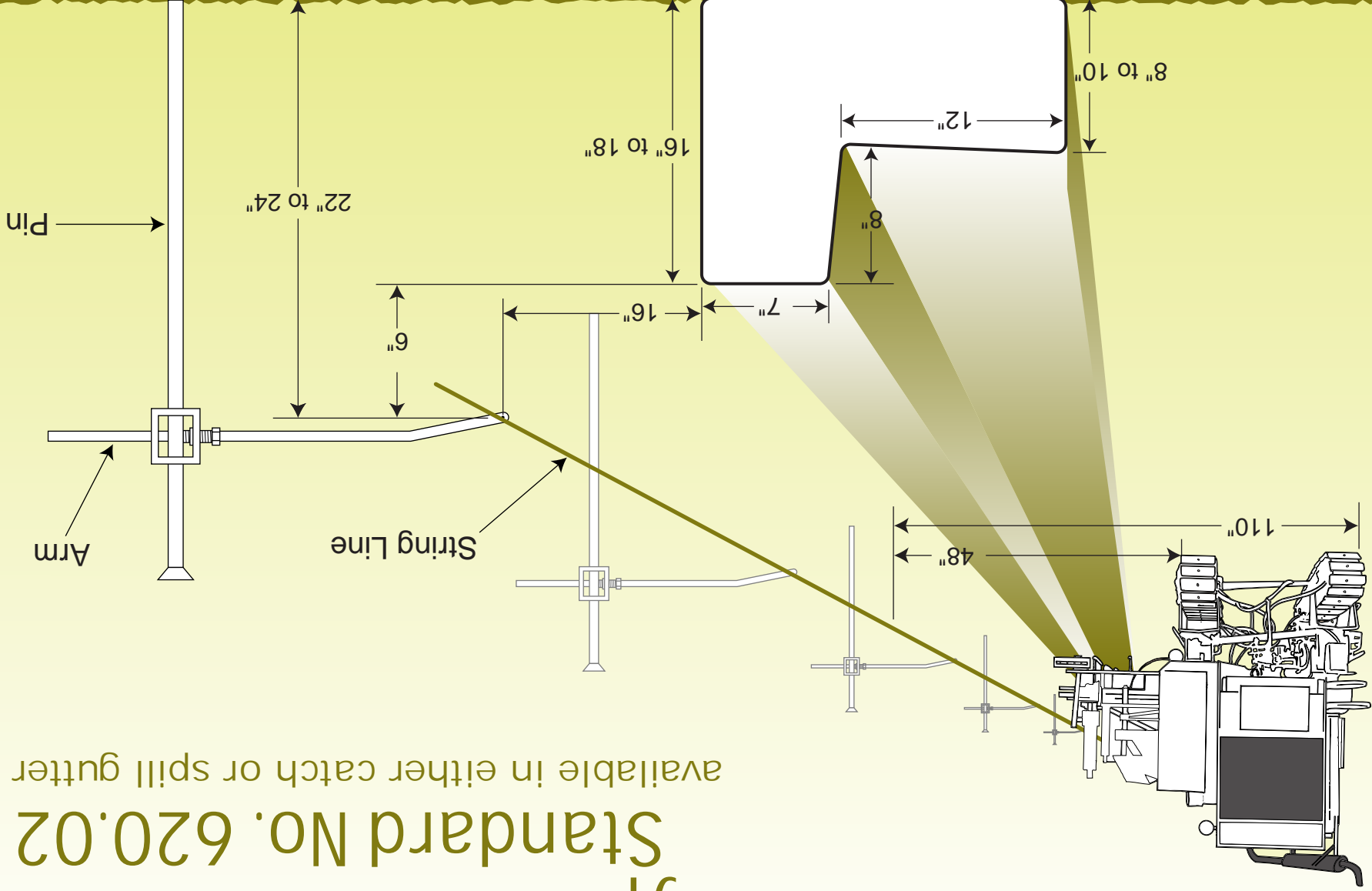


Ruhlman Bros Inc
65 Musselman Road, Hanover, PA 17331
www.ruhlmanbrothers.com

office: 717-637-3235
fax: 717-637-8669

MD State Type A - Curb & Gutter Standard No. 620.02

available in either catch or spill gutter

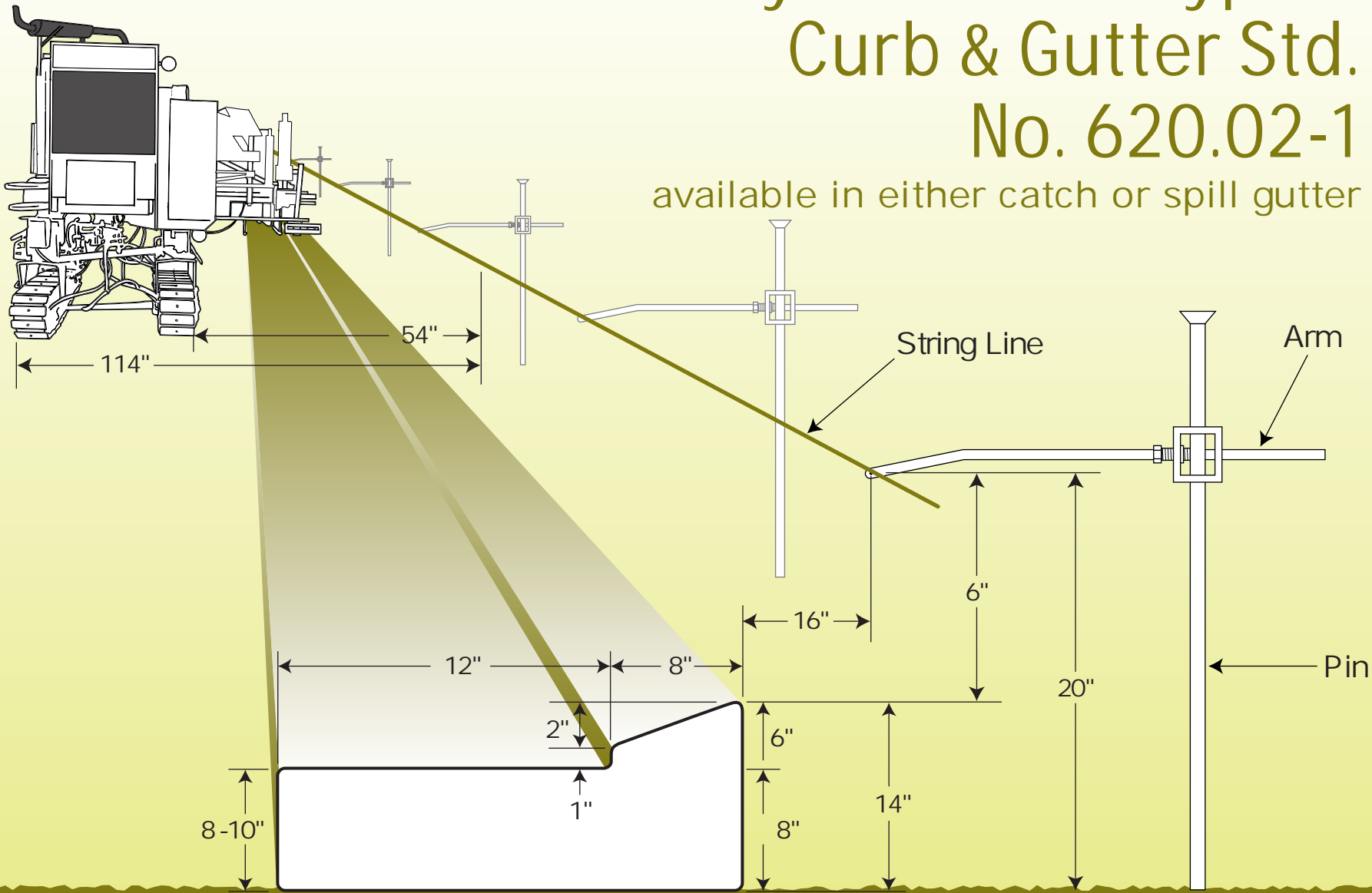


office: 717-637-3235
fax: 717-637-8669

Ruhlman Bros Inc
65 Musselman Road, Hanover, PA 17331
www.ruhlmanbrothers.com

Maryland State Type B Curb & Gutter Std. No. 620.02-1

available in either catch or spill gutter



Ruhlman Bros Inc

65 Musselman Road, Hanover, PA 17331

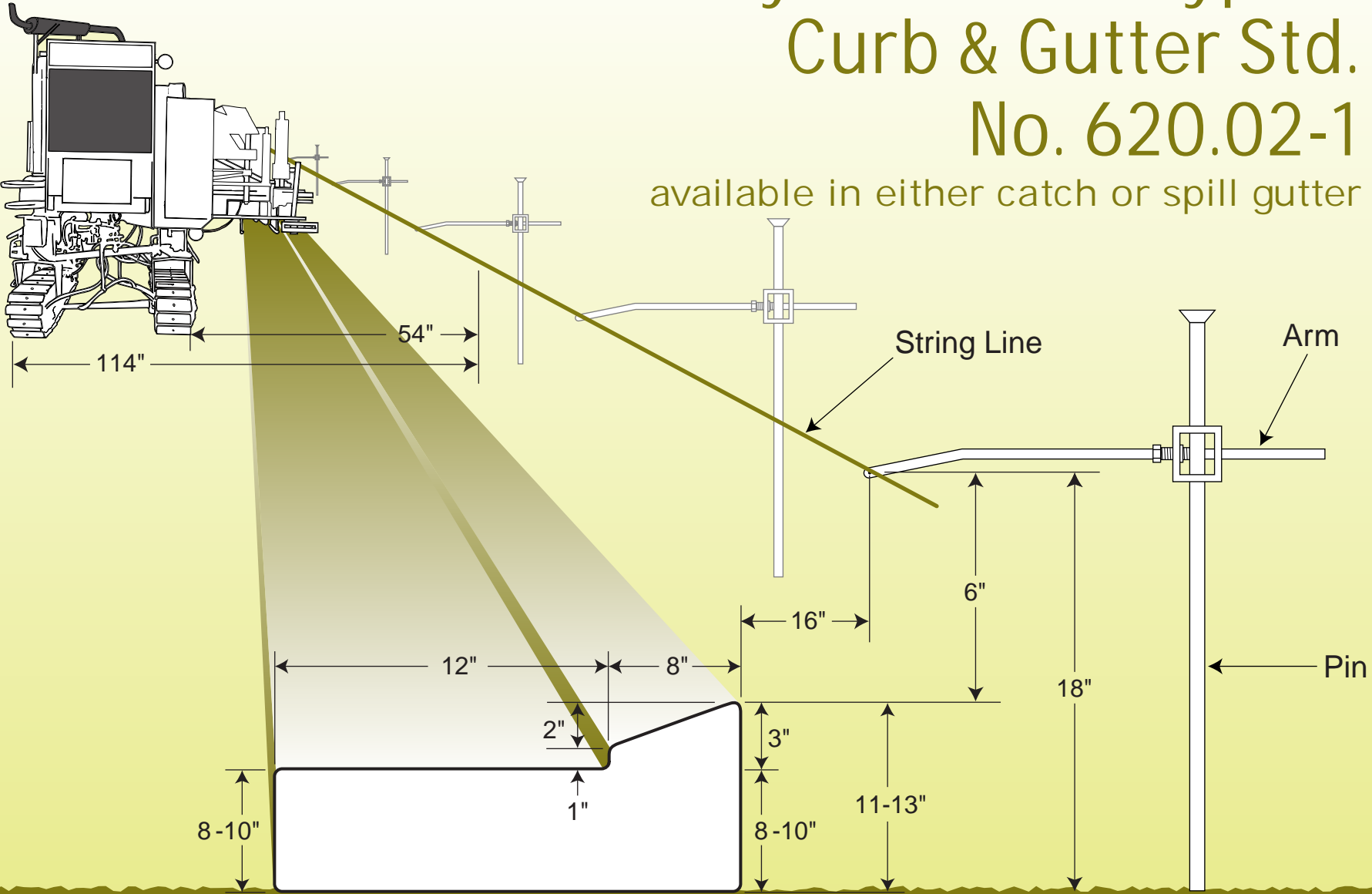
www.ruhlmanbrothers.com

office: 717-637-3235

fax: 717-637-8669

Maryland State Type C Curb & Gutter Std. No. 620.02-1

available in either catch or spill gutter



Ruhlman Bros Inc

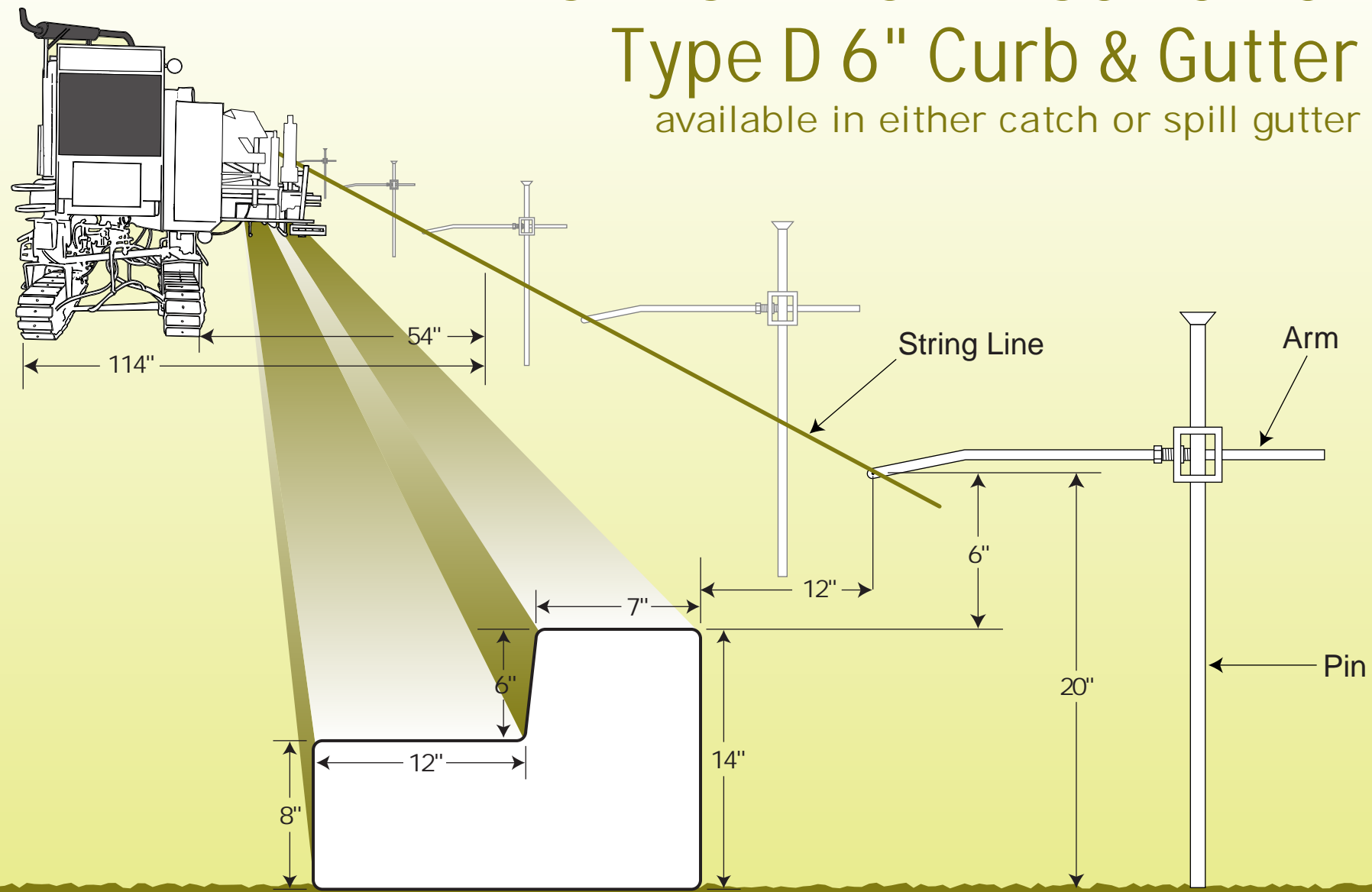
65 Musselman Road, Hanover, PA 17331
www.ruhlmanbrothers.com

office: 717-637-3235
fax: 717-637-8669

MSHA STD No. MD602.02-01

Type D 6" Curb & Gutter

available in either catch or spill gutter

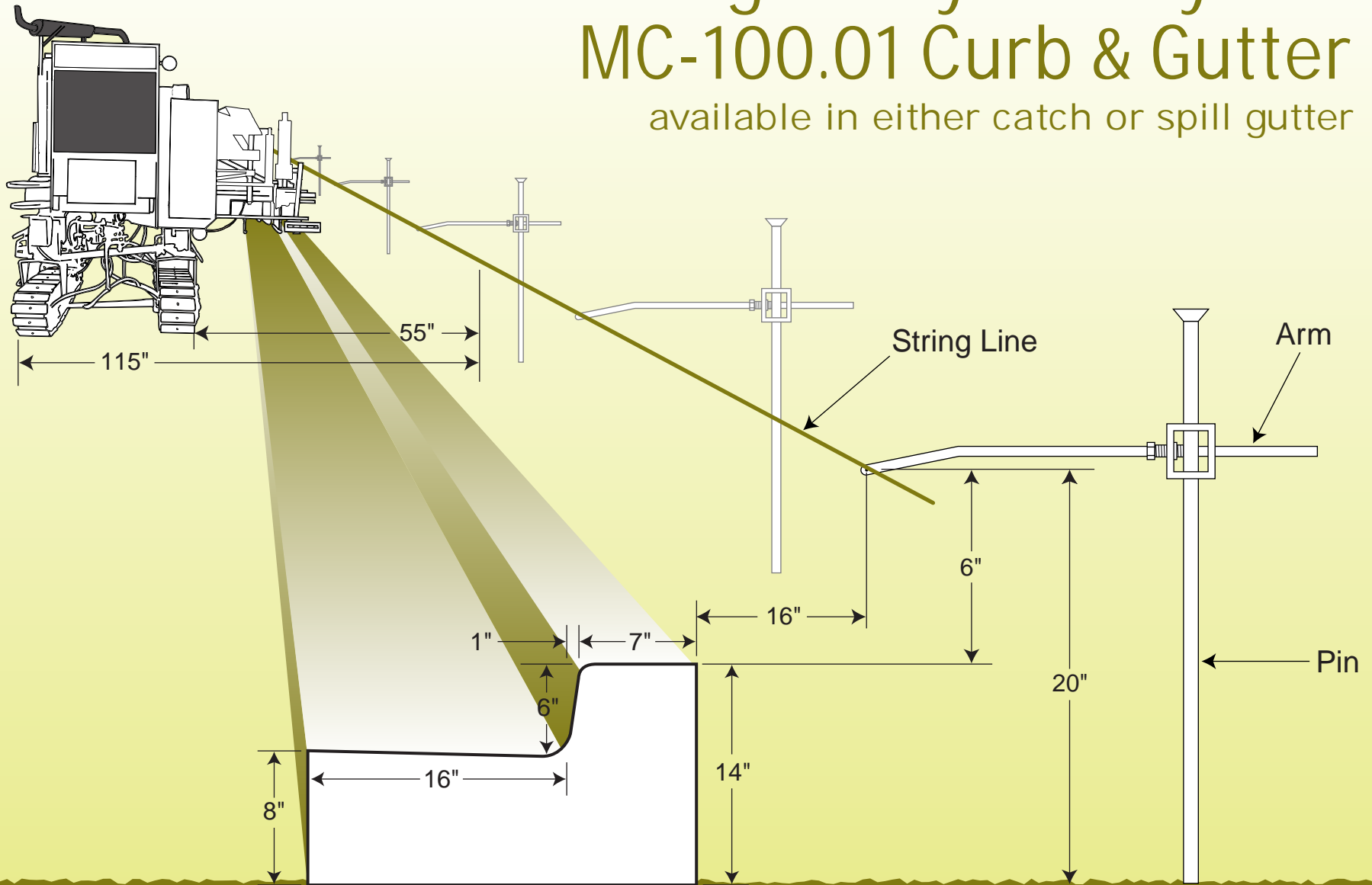


Ruhlman Bros Inc
65 Musselman Road, Hanover, PA 17331
www.ruhlmanbrothers.com

office: 717-637-3235
fax: 717-637-8669

Montgomery County Std. MC-100.01 Curb & Gutter

available in either catch or spill gutter



Ruhlman Bros Inc

65 Musselman Road, Hanover, PA 17331

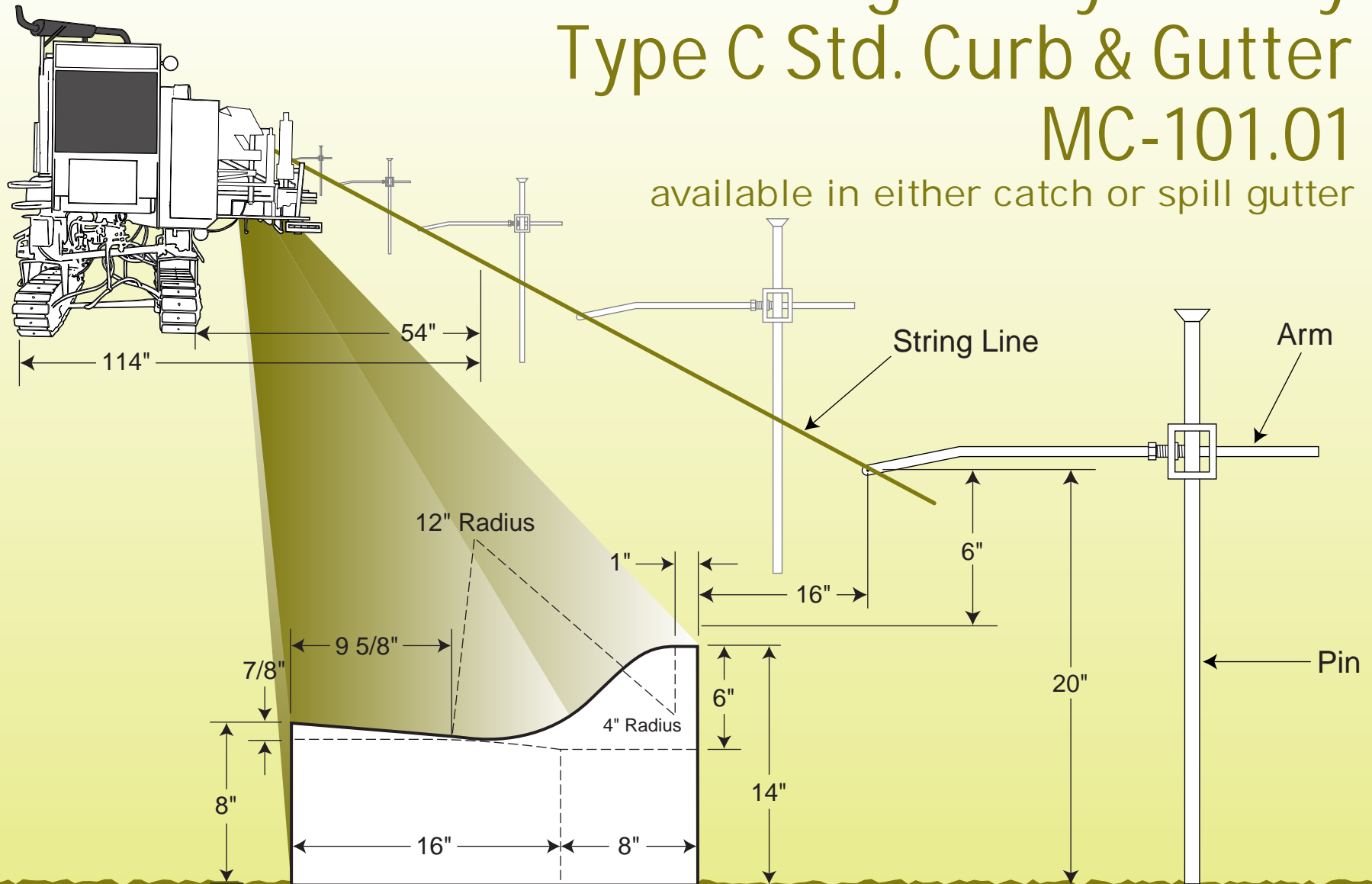
www.ruhlmanbrothers.com

office: 717-637-3235

fax: 717-637-8669

Montgomery County Type C Std. Curb & Gutter MC-101.01

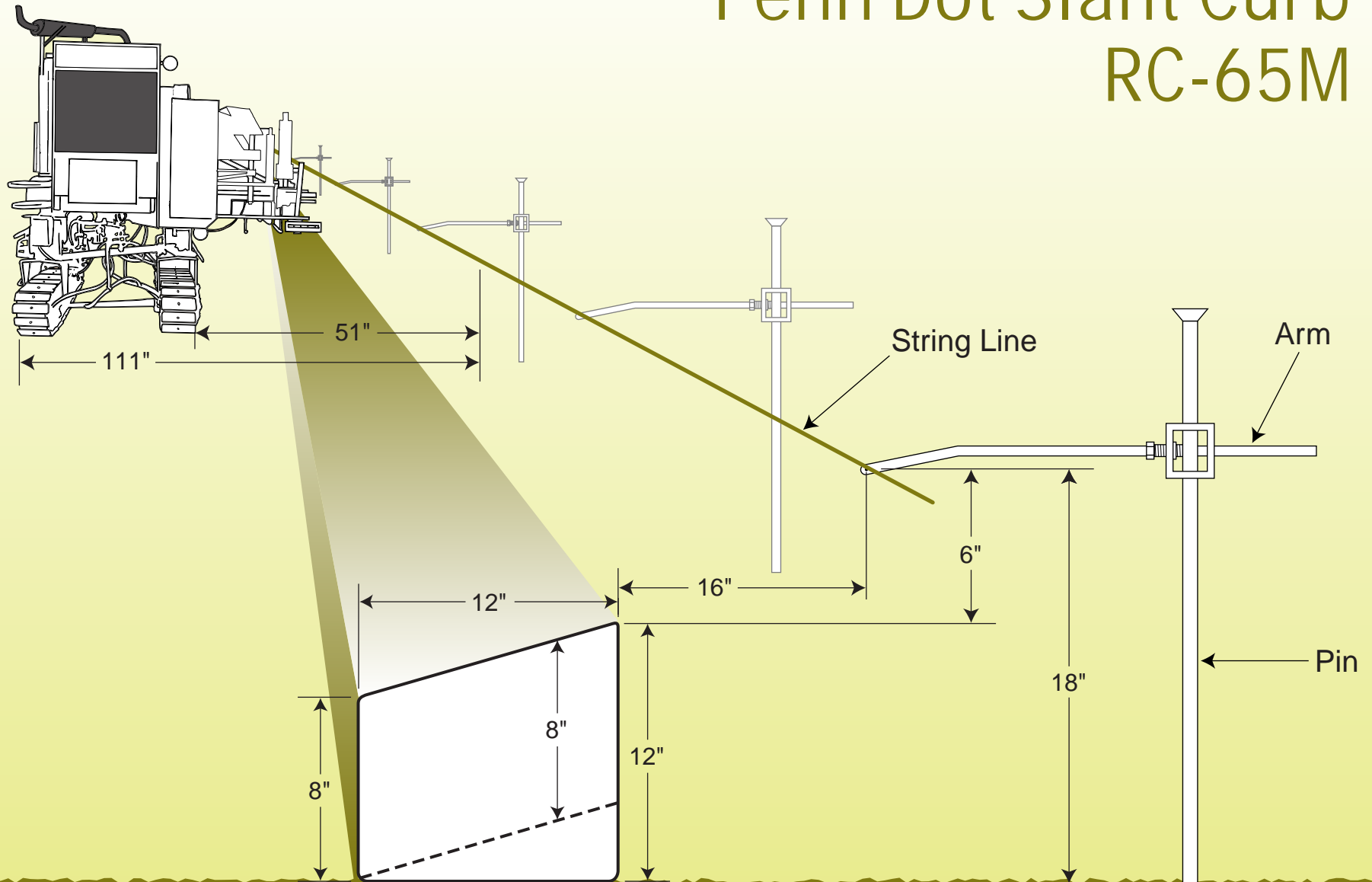
available in either catch or spill gutter



Ruhlman Bros Inc
65 Musselman Road, Hanover, PA 17331
www.ruhlmanbrothers.com

office: 717-637-3235
fax: 717-637-8669

Penn Dot Slant Curb RC-65M



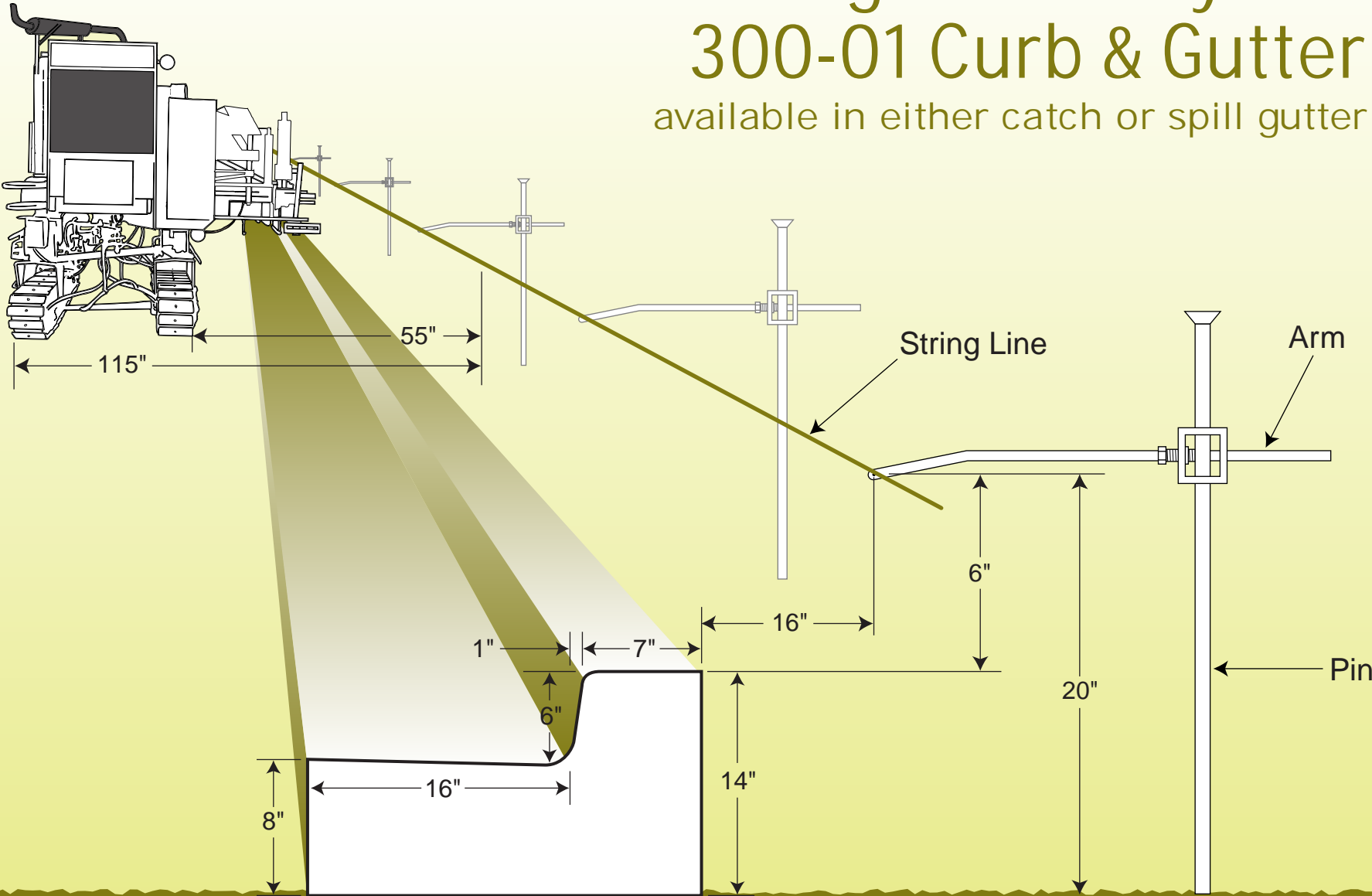
Ruhlman Bros Inc
65 Musselman Road, Hanover, PA 17331
www.ruhlmanbrothers.com

office: 717-637-3235
fax: 717-637-8669

Prince George's County Std.

300-01 Curb & Gutter

available in either catch or spill gutter



Ruhlman Bros Inc

65 Musselman Road, Hanover, PA 17331

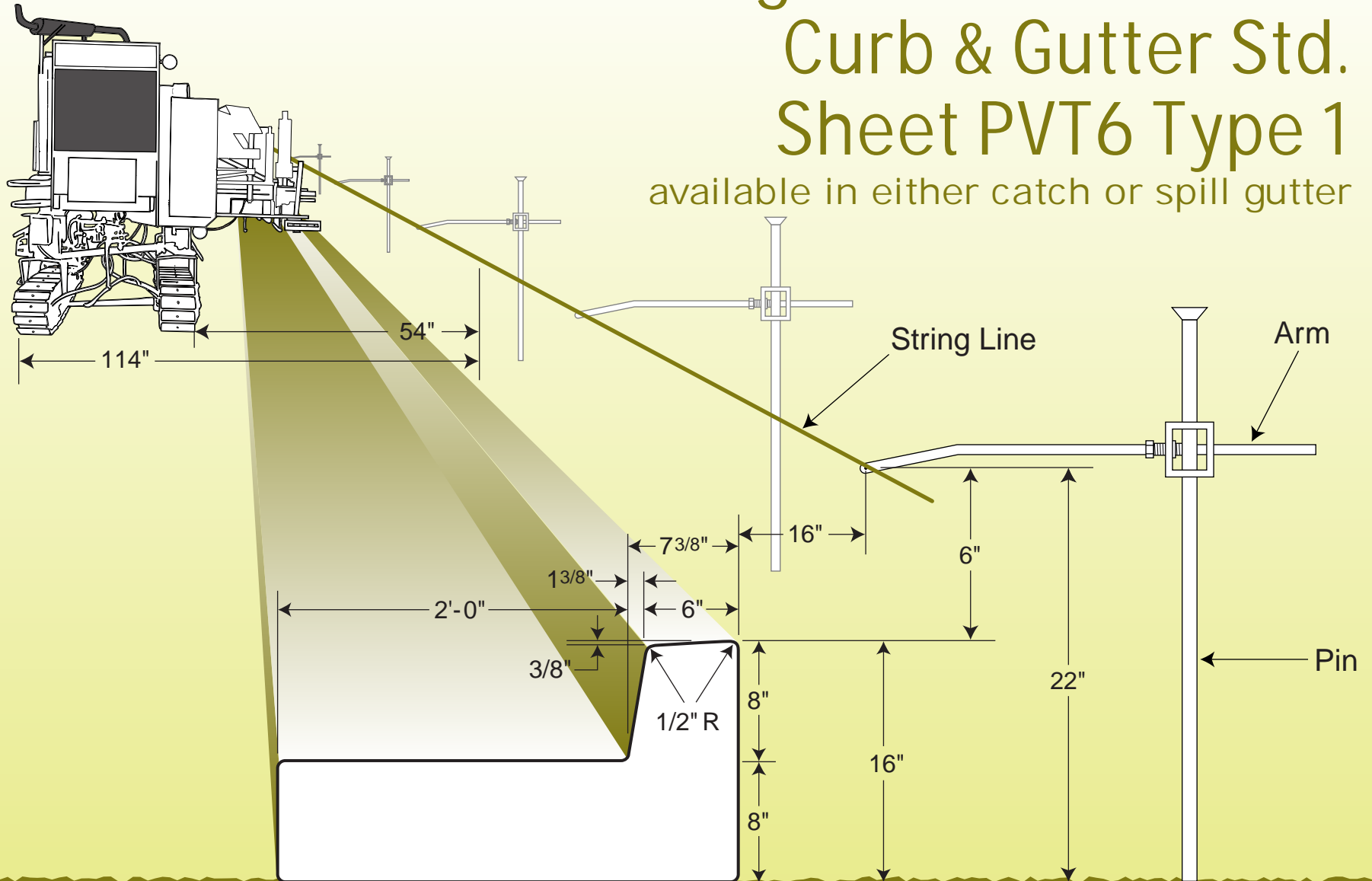
www.ruhlmanbrothers.com

office: 717-637-3235

fax: 717-637-8669

West Virginia Combination Curb & Gutter Std. Sheet PVT6 Type 1

available in either catch or spill gutter



Ruhlman Bros Inc
65 Musselman Road, Hanover, PA 17331
www.ruhlmanbrothers.com

office: 717-637-3235
fax: 717-637-8669